

MESSRS.

SPECIFICATION FOR APPROVAL

承 認 書

| | |
|-------------------|-------------------------------|
| Product | ELECTRET CONDENSER MICROPHONE |
| Part No. | AHM-917U314 (RoHS) |
| Customer Approval | |

| Approved By | Checked By | Made By |
|-------------------------------|--------------------------------|---------------------------------|
| 工程 BOB CHEN DEC-04-2008 | 工程 DAVID LIU DEC-04-2008 | 工程 JASON CHEN DEC-04-2008 |



ADVANCED ACOUSTIC TECHNOLOGY CORP.

苙 翔 科 技 股 份 有 限 公 司



ISO 9001 Certified

2F, No.207, Sec. 6, Chung Shan N. Rd., Taipei

Tel: +886-2-88665255

Fax: +886-2-88665250

<http://www.aatc.com.tw>

1. SPECIFICATIONS

AHM-917U314

(RoHS)

| | | |
|----|----------------------------|---|
| 01 | Electret Type | Foil type |
| 02 | Sensitivity | -39±4dB (0dB=1V/Pa,1KHz) |
| 03 | Output Impedance (Max) | 2.2KΩ |
| 04 | Directivity | Uni-directional |
| 05 | Frequency Range | 100-10K Hz |
| 06 | Max.Operation Voltage | 9 V |
| 07 | Standard Operation Voltage | 1.5V |
| 08 | Current Consumption | Max.0.5mA |
| 09 | Sensitivity Reduction | Within -3dB 0dB=1V/Pa,1KHz Vs=1.5 to 1.0V |
| 10 | S/N Ratio | > 60dB at 1K Hz |
| 11 | Operating Temperature | -20~+80°C |
| 12 | Storage Temperature | -25~+85°C |

2. MEASURING METHOD

2-1. Test Condition

Standard Conditions:

Generally Temperature 15~35°C

Generally Humidity 45~85%

Generally Atmospheric Pressure 860~1060hpa

Basic Test Conditions:

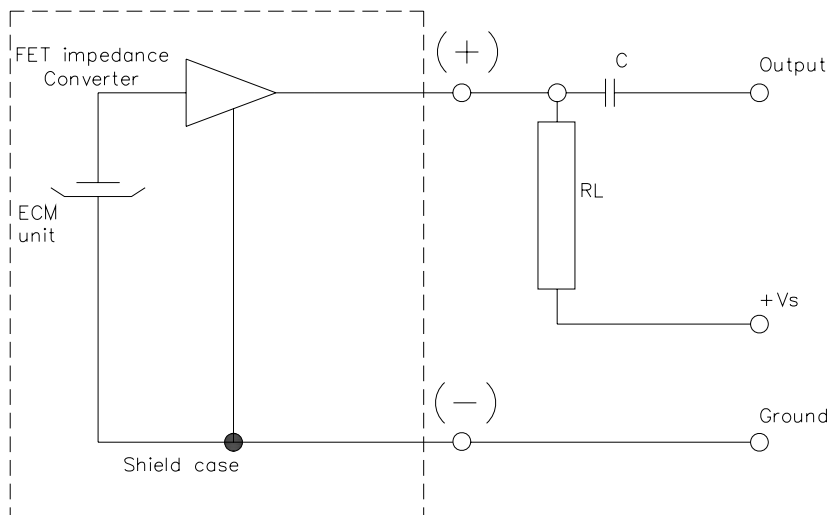
Temperature 20±2°C

Humidity 60~70%

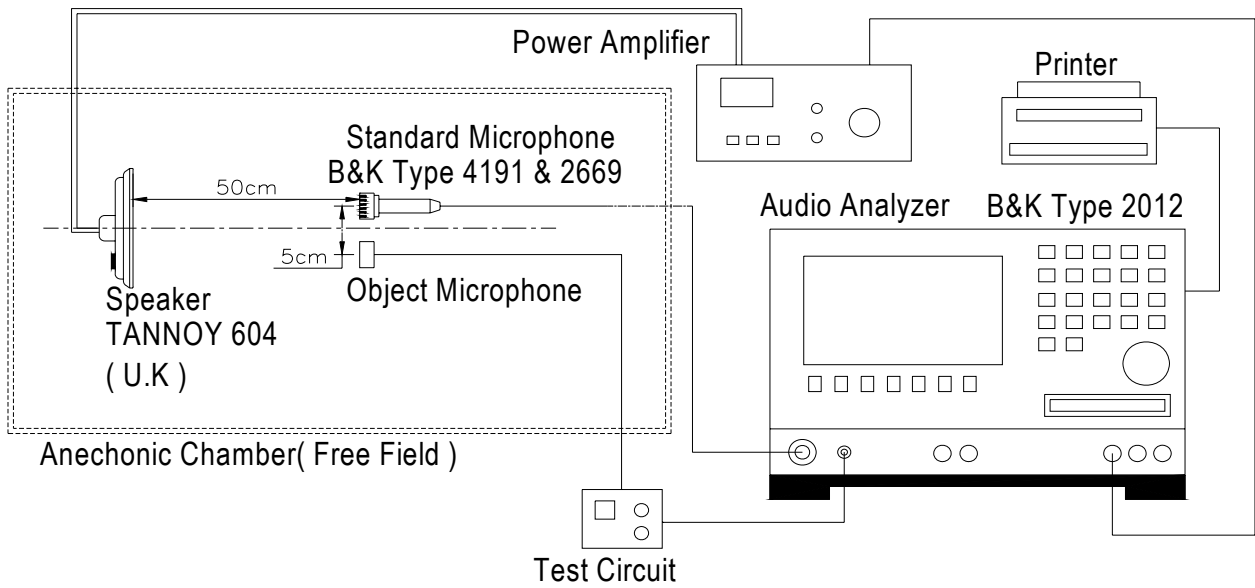
Generally Atmospheric Pressure 860~1060hpa

2-2. Standard Test Circuit

Vs= 1.5V RL= 2.2KΩ Te=20°C R.H.=60%



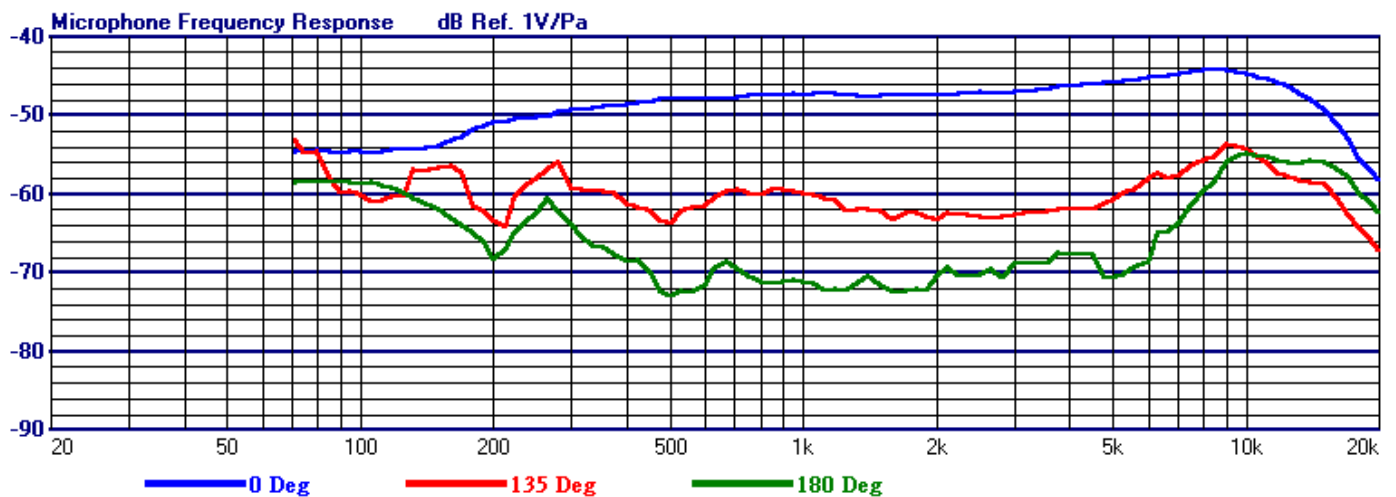
2-3. Standard Test Fixture



2-4. Frequency Response Curve

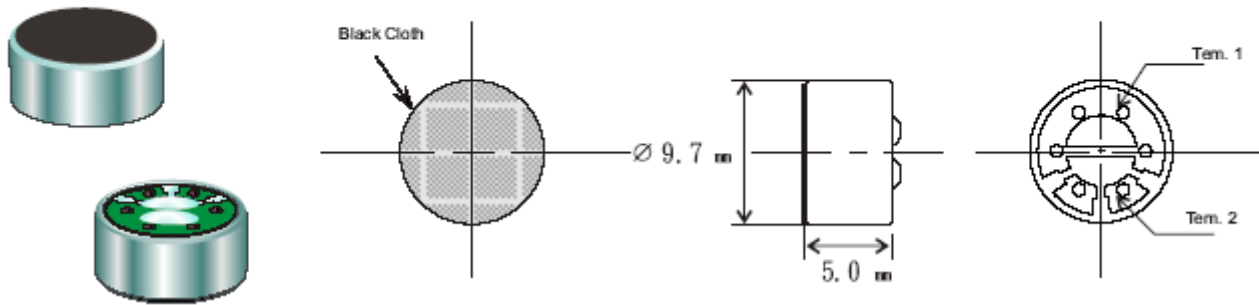
X : 1000 Hz

| | | |
|-------------------------|-------------------------|-------------------------|
| Y : -47.3 dBV/Pa | Y : -59.9 dBV/Pa | Y : -71.1 dBV/Pa |
| Y : -45.1 dBm/Pa | Y : -57.6 dBm/Pa | Y : -68.8 dBm/Pa |
| D : 0.0 dB | D : 0.0 dB | D : 0.0 dB |
| | Z : -12.5 dB | Z : -23.7 dB |

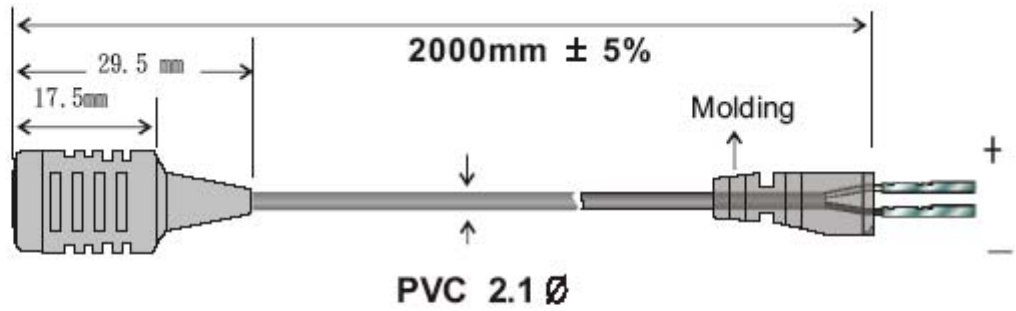


3. DRAWING

- 39dB ± 3dB(單體)



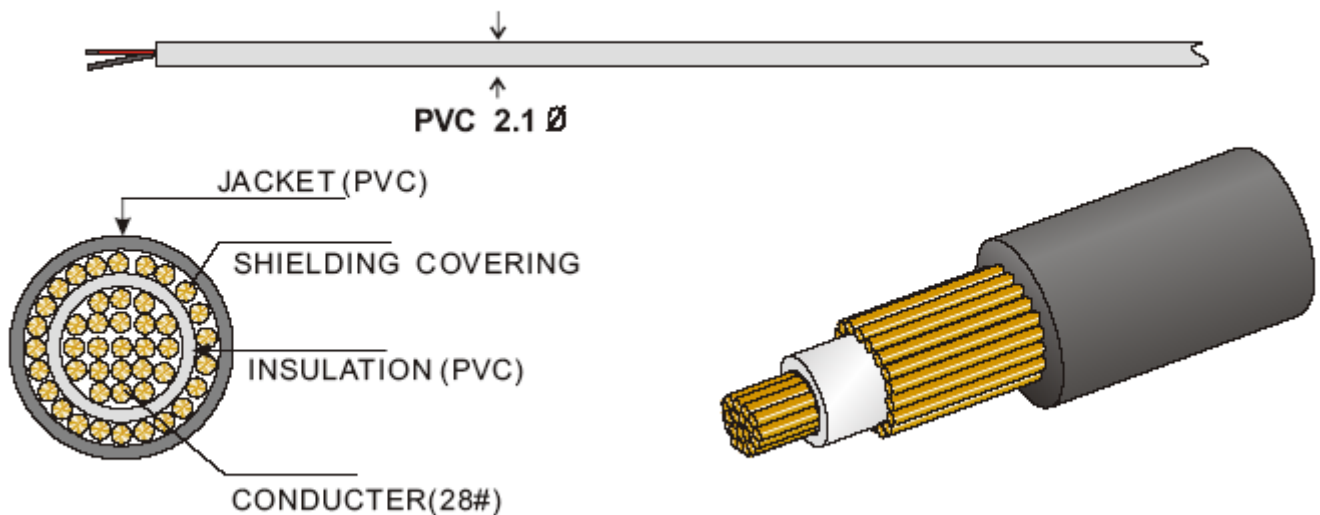
麥克風管身
ABS耐高溫



SENSITIVITY : -39 ± 4dB(Final Assemble)

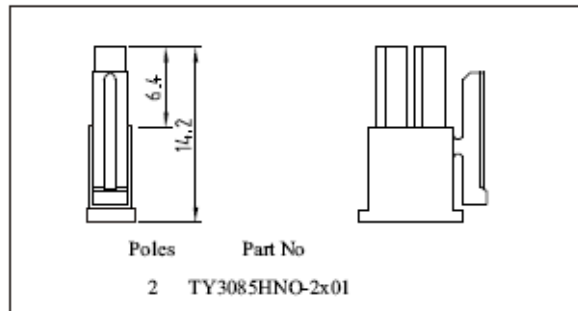
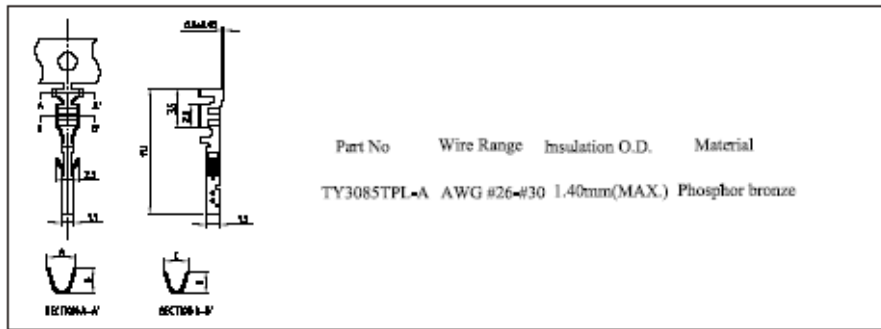
4.Plug & Wire

PVC OD 2.1 Ø SINGLE INSULATED WIRE



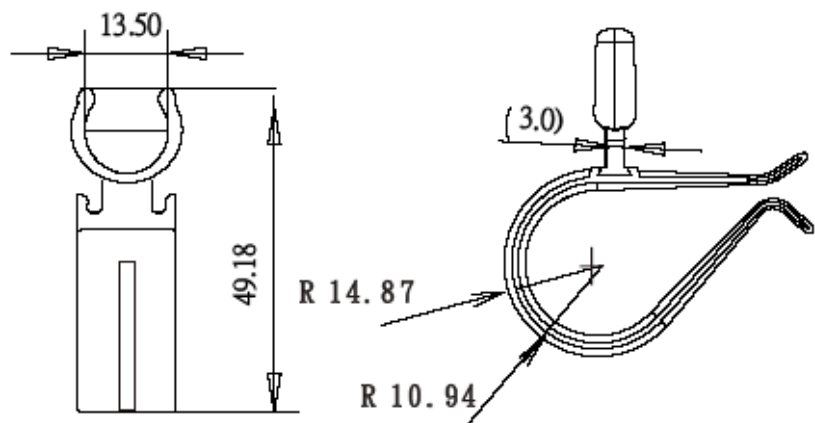
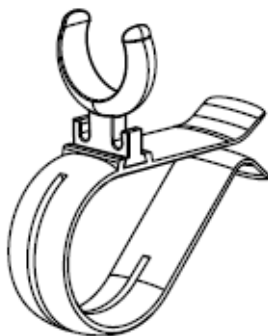
5.General characteristics

| | Item | Test Condition | Standard |
|-----|--------------------------|--|--|
| 5-1 | Operation temperature | - 20°C~ 80°C | Product must function |
| 5-2 | Storage temperature | - 25°C~ 85°C | |
| 5-3 | External appearance | N / A | Should not exist any Kinds of obstacle to be harmful to normal operation, not any remarkable damages cracks rust and distortion that may cause malfunction |
| 5-4 | Humidity characteristics | 72 hours in 90~95% relative humidity at 40±2°C and 2 hour drying under normal condition | No any defects are found after test |
| 5-5 | Vibration resistance | Vibration for 1 hour in each three orientations at sweep vibration(10~55 Hz)with 2.0mm p-p amplitude | |
| 5-6 | Drop test | A. After packing: from 762mm (on the concrete) | Product must function and no defects are found after dropping one time on one corner, each three adjacent edges and six sides |
| | | B. Headset:from 1.5M (on the concrete) | Shall be normal after test: The direction of drop: 3 direction:3 time in each orientations. |
| 5-7 | Wire Flex life | Flexed over a radius of 3.2mm 60 to each side of vertical, at approx 20 cycles per minute with a load of 100± 3.7g, holding the wire taught. One cycle is 2 complete 60 arcs | Product must function after 2,000 flex cycles. A failure is complete loss of conductivity on any of the 4 conductors. |
| 5-8 | Strain relief flex life | Flex at angle= ± 60 . Apply 100g load at the headset side and 100g at the plug side, at 20 cycles per minute. | Product must function after 2,000 flex cycles on the plug side and 1,000 flex cycles on the headset. |



CP-314

PC 材質遮陽板夾(14 ϕ)



Remark:

| NO | Name | Q' Ty | Material or Specification | Color |
|----|---------------------------|-----------|--|--------|
| 1 | Mic top cover | Each 1 pc | ABS . PC | Black |
| 2 | Mic bottom | Each 1 pc | ABS . PC | Black |
| 3 | Microphone | Each 1 pc | EM-55A | N / A |
| 4 | Wire | Each 1 pc | DIA 2.1mm PVC | Black |
| 5 | Hosing | Each 1 pc | TY3085HNO-2x01 | Black |
| 6 | Terminal | Each 2 pc | TY3085TPL-A 1.40mm(MAX.) Phosphor bronze | Silver |
| 7 | Double-side adhesive foam | Each 1 pc | 3M - 4608 | N / A |
| 8 | Cable length | Each 1 pc | 2 Meter | Black |
| 9 | Clip | Each 1 pc | 14 ϕ | Black |
| 10 | Housing Molding | Each 1 pc | PE(Int) , PVC(Ext) | Black |