

MESSRS.

SPECIFICATION FOR APPROVAL

承 認 書

Product	PIEZO BUZZER ELEMENT
Part No.	AE-2720E-W3V
Customer Approval	

Approved By	Checked By	Made By
工程部 王台平 MAR-28-2005	工程部 劉民祥 MAR-28-2005	工程部 許俊程 MAR-28-2005



ADVANCED ACOUSTIC TECHNOLOGY CORP.

苙 翔 科 技 股 份 有 限 公 司



ISO 9001 Certified

2F, No.207, Sec. 6, Chung Shan N. Rd., Taipei

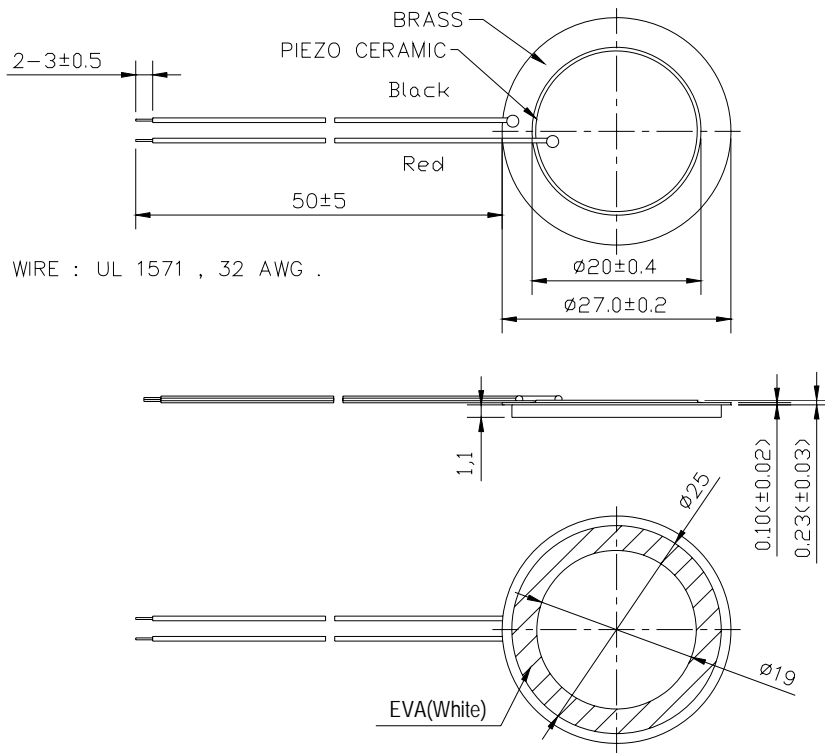
Tel: +886-2-88665255

Fax: +886-2-88665250

<http://www.aatc.com.tw>

AE-2720E-W3V

	ITEM	CONDITION
01	Type.	External-drive type sound element
02	Resonant Frequency (KHz)	2.0 ±0.3 at 25 ±2°C , 45~60% RH
03	Resonant Impedance (OHM)	800 Max. at 25 ±2°C , 45~60% RH
04	Capacity (PF)	45,000 ±30% at 1K Hz 1Vrms
05	Plate Material	Brass
06	Input Voltage	30Vp-p Max
07	Operating Temperature	-20°C to +60°C
08	Storage Temperature	-20°C to +70°C



Tolerance : ± 0.5 mm

unit :mm

■ Piezo Ceramic Test Fixture

1. Resonant Freq. → YHP – 4192A at 1 Vrms.
2. Resonant Imp. → YHP – 4192A at 1 Vrms.
3. Capacitance → YHP – 4192A at 1 KHz (or 120Hz)

■ Piezo Ceramic Reliability Test

No.	Item	Condition	Variance after Conditioning
01	High temperature	+70°C +/-2°C , 240 hrs	Resonant freq.: Initial value +/- 10%
02	Low temperature	-40°C +/-2°C , 240 hrs	
03	Humidity	+40°C +/-2°C , 90~95%RH , 240 hrs	
04	Thermal shock	-20°C +/-2°C (1hrs) → 20°C (5min) → 70°C +/-2°C (1hrs) → 20°C (5min) 20 cycles	Capacitance: Initial value +/- 15%
05	Temp. dependence	On place -20~+70°C rel. 20°C	Resonant freq.: +/- 15% Capacitance: 0.8% /°C

Test specimens shall be kept for 4 hrs. (25°C) before measurement.