

# *MESSRS.*

---

## SPECIFICATION FOR APPROVAL

## 承 認 書

Product	PIEZO BUZZER ELEMENT
Part No.	AE-3529F-N
Customer Approval	

Approved By	Checked By	Made By
		工程 許俊程 MAR-20



**ADVANCED ACOUSTIC TECHNOLOGY CORP.**

**苙 翔 科 技 股 份 有 限 公 司**



ISO 9001 Certified

2F, No.207, Sec. 6, Chung Shan N. Rd., Taipei, Taiwan, R.O.C.

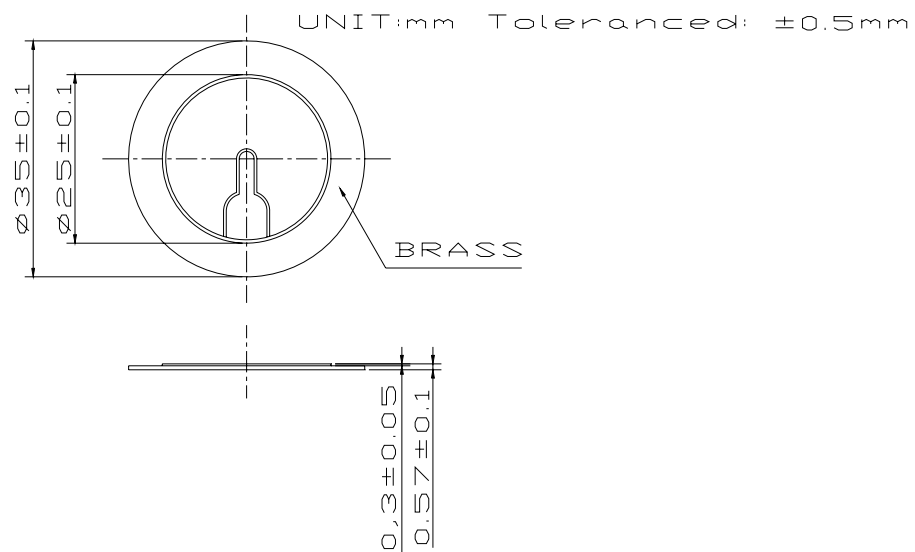
Tel: +886-2-88665255

Fax: +886-2-88665250

E-mail: [aat\\_mail@seed.net.tw](mailto:aat_mail@seed.net.tw)

# AE-3529F-N

ITEM		CONDITION
01	Type.	EXTERNAL -drive type sound element
02	Resonant Frequency (KHz)	$2.9 \pm 0.5$ at $25 \pm 2^{\circ}\text{C}$ , 45~60% RH
03	Resonant Impedance (OHM)	200 OHM Max. at $25 \pm 2^{\circ}\text{C}$ , 45~60% RH
04	Capacity (PF)	$28000 \pm 30\%$ at 1.0KHz 1Vrms
05	Plate Material	BRASS
06	Operating Temperature ( $^{\circ}\text{C}$ )	-20 to +60
07	Storage Temperature ( $^{\circ}\text{C}$ )	-20 to +70



## ■ Piezo Ceramic Test Fixture

1. Resonant Freq. → YHP – 4192A at 1 Vrms (sweep frequency : 1KHz)
2. Resonant Imp. → YHP – 4192A at 1 Vrms (sweep frequency : 1KHz)
3. Capacitance → YHP – 4192A at 1 KHz

## ■ Piezo Ceramic Reliability Test

No.	Item	Condition	Variance after Conditioning
01	High temperature	+70°C±2°C , 240 hrs	Resonant freq.: Initial value ±10%
02	Low temperature	-40°C±2°C , 240 hrs	
03	Humidity	+40°C±2°C , 90~95%RH , 240 hrs	
04	Thermal shock	-20°C±2°C (30min) →20°C (15min) →70°C±2°C (30min) →20°C (15min) 20 cycles	Capacitance: Initial value ±15%
05	Temp. dependence	On place -20~ +70°C rel. 20°C	Resonant freq.: ±15% Capacitance: 0.8% / °C

Test specimens shall be kept for 4 hrs. (25°C) before measurement.