

MESSRS.

SPECIFICATION FOR APPROVAL

承 認 書

Product	PIEZO BUZZER
Part No.	AZ-1440E-PH
Customer Approval	

Approved By	Checked By	Made By
		工程 部 許俊程 JAN-14



ADVANCED ACOUSTIC TECHNOLOGY CORP.

苙 翔 科 技 股 份 有 限 公 司



ISO 9001 Certified

2F, No.207, Sec. 6, Chung Shan N. Rd., Taipei, Taiwan, R.O.C.

Tel: +886-2-88665255

Fax: +886-2-88665250

E-mail: aat_mail@seed.net.tw

AZ-1440E-PH

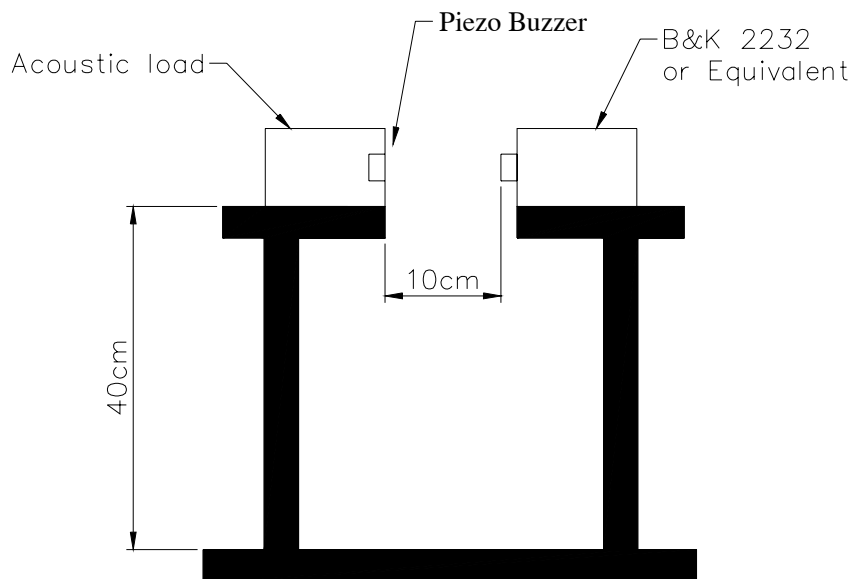
Items		Units	Specifications	Conditions
01	Rated Voltage	Vp-p	5	Square Wave
02	Operating Voltage	Vp-p	1-30*	
03	Rated Current	mA(Max)	5	5Vp-p / 4KHz
04	Sound Output At 10cm	dBA(Min)	80	At 5Vp-p / 4KHz
05	Resonant Frequency	Hz	4000±500	
06	Capacitance at 120Hz	pF	12000±30%	
07	Operating Temp.	°C	-40~ +85	
08	Storage Temp.	°C	-50 ~ +95	
09	Weight	g	1	

Measurement Condition

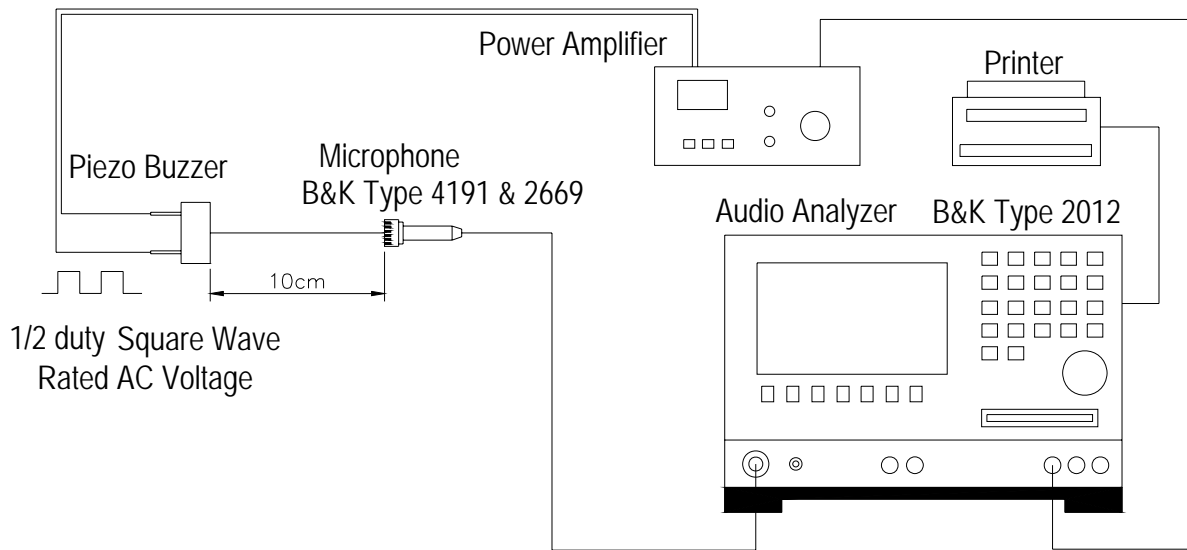
Test and measurement will be carried out under normal condition of temperature within 5°C to 35°C, relative humidity within 45% to 85% and air pressure of 860mbar to 1060mbar. Should uncertainly arise in data obtained from the above atmosphere, control of temperature At 20°C±2°C and relative humidity within 60% and 70%, with air pressure remaining unchanged, To be enforced.

Value Applying Rated Voltage

STANDARD TEST FIXTURE

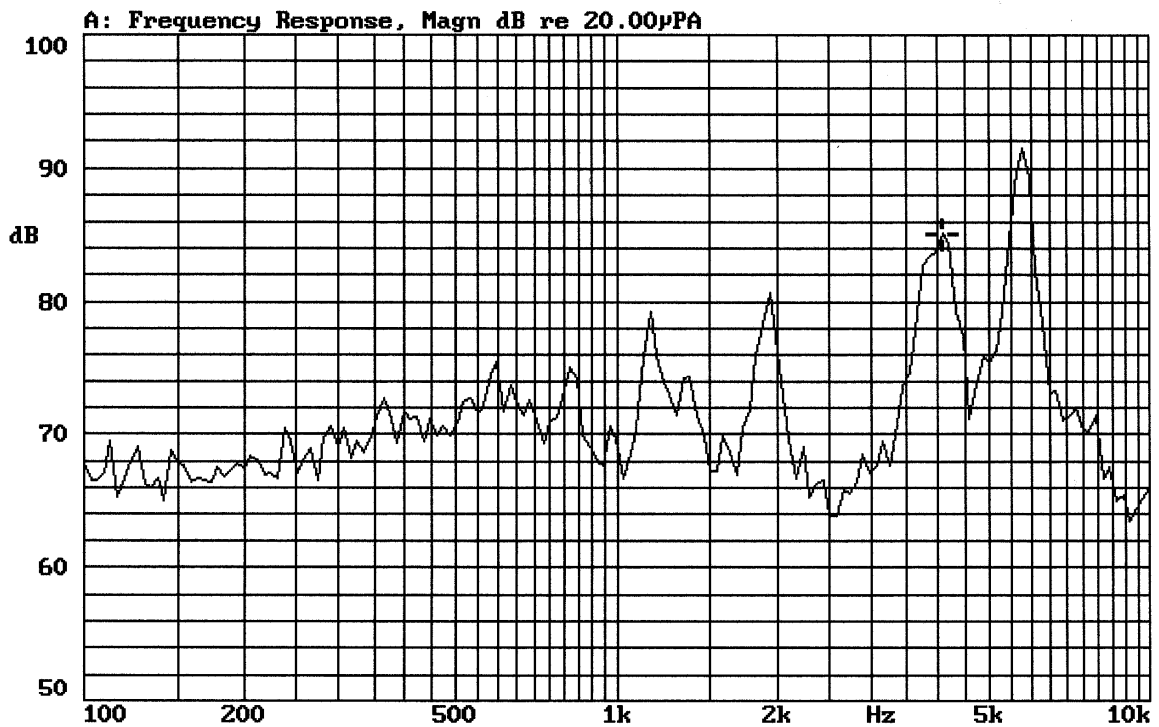


Standard test condition of piezo buzzer



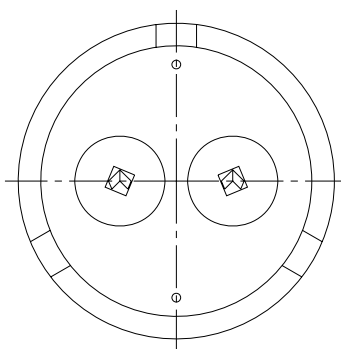
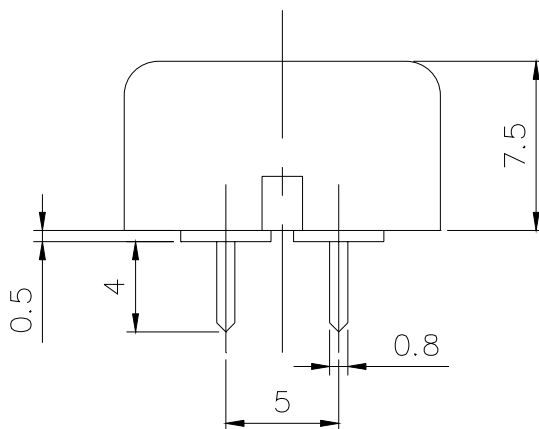
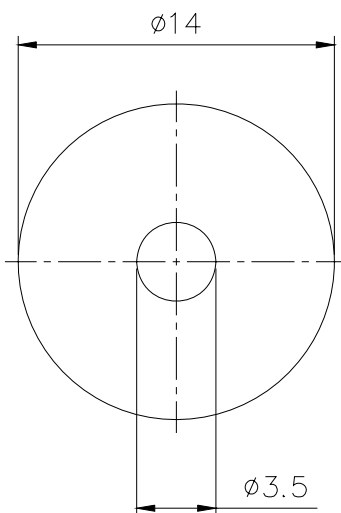
Frequency Response Curve

AZ-1440E-PH
X:4.0973kHz Y:85.13dB ZA:Live Curve SSR T. RMS



Mode: SSR





WAVE SOLDER AND WASH NOT ALLOWED

TITLE:	PIEZO BUZZER	DRAWN:	JOHN 01/14/2003	SCALE:	3:1	SHEET:	1 : 1
PART NO.	AZ-1440E-PH	DESIGNED:	R & D OF AAT	UNITS:	mm	TOLERANCE	± 0.5
DWG NO.	DTP-1203	CHECKED:		UNLESS OTHERWISE SPECIFIED:			
		APPROVAL:		ONE PLACE DECIMAL ± ***			
		MATERIAL:	NORYL	TWO PLACE DECIMAL ± ***			
				THREE PLACE DECIMAL ± ***			



苙翔科技股份有限公司
 ADVANCED ACOUSTIC TECHNOLOGY CORPORATION

ADVANCED ACOUSTIC TECHNOLOGY CORP.

苙翔科技股份有限公司

RELIABILITY TEST

AZ-1440E-PH

Item	Conditions	Evaluation standard
01 Low Temp. Storage Test	A°C±2°C ,240Hr	(S.P.L)Test before numerical ±10dB (Frequency)Test before numerical ±10% (Current)Test before numerical ±10% (No crake is allowed on the part surface after Free drop test) ● After the test ,the part shall meet the specifications without any degradation in appearance and performance
02 High Temp. Storage Test	B°C±2°C RH50% ,240Hr	
03 Temp./Humidity Storage Test	40°C±2°C , RH90-95% 240Hr	
04 Thermal Shock Test	A°C±2°C (1Hr)→ ,20°C±2°C (1Hr) B°C±2°C (1Hr)→ ,20°C±2°C (1Hr)10 cycle	
05 Vibration Test	10-55Hz/1min amplitude1.5mm,X,Y,Z,3 directions	
06 Mechanical Shock Test	+100G,Sine wave, XYZ , 3 impacts per axis	
07 Free Drop Test	The part shall be dropped freely from a height of 75 cm onto concrete 1 time in 2 axes (total 4 times)	
08 Life Burning Test	The part shall be subjected to 1000 hrs in the room temp with rated voltage applied	
09 Lead Wire / Pin Pull Test	The Part checking standard : Following supplier's Spec. Finished-part checking Standard vertical Pull i)100g MIN 0.05mm Thickness of ceramic ii)300g MIN 0.1mm ≤ Thickness of ceramic b: Horizontal Pull i)700g MIN	

Remark : "A" means Storage low temp. "B" means Storage high temp