

MESSRS.

SPECIFICATION FOR APPROVAL

承 認 書

Product	PIEZO BUZZER (EXTERNAL)
Part No.	AZ-2225E-P
Customer Approval	

Approved By	Checked By	Made By



ADVANCED ACOUSTIC TECHNOLOGY CORP.

苙 翔 科 技 股 份 有 限 公 司



ISO 9001 Certified

2F, No.207, Sec. 6, Chung Shan N. Rd., Taipei, Taiwan, R.O.C.

Tel: +886-2-88665255

Fax: +886-2-88665250

E-mail: aat_mail@seed.net.tw

AZ-2225E-P

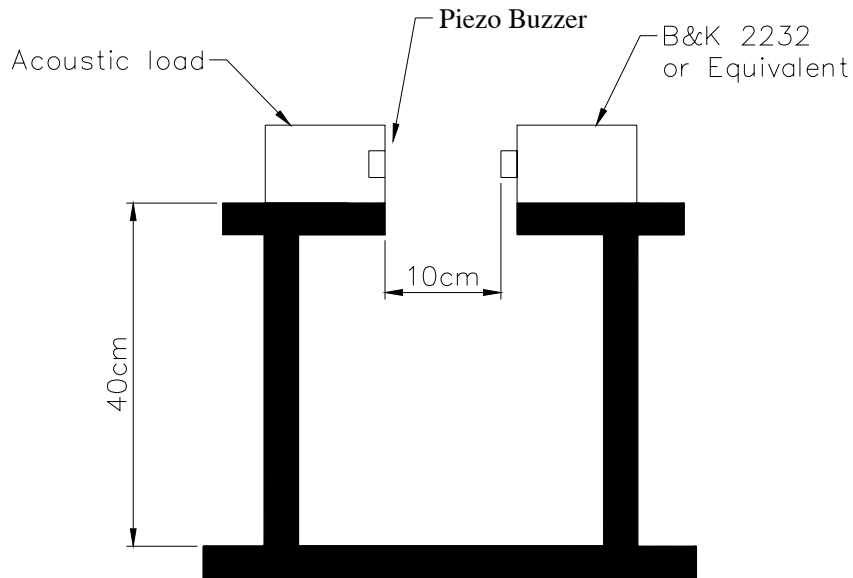
Items		Units	Specifications	Conditions
01	Rated Voltage	Vp-p	12	Square Wave
02	Operating Voltage(Max)	Vp-p	3 ~ 30	
03	Current Consumption(max)	mA	8	At 2.5KHz / 12Vp-p Square Wave
04	Sound Pressure Level (Min)	dB	85	At 10cm 12Vp-p Square Wave
05	Resonant Frequency	Hz	2500±.500	
06	Operating Temp.	°C	-20 ~ +60	
07	Storage Temp.	°C	-30 ~ +70	
08	Capacitance	pF	20,000 ± 30%	At 120 Hz
09	Weight	g	3	

Measurement Condition

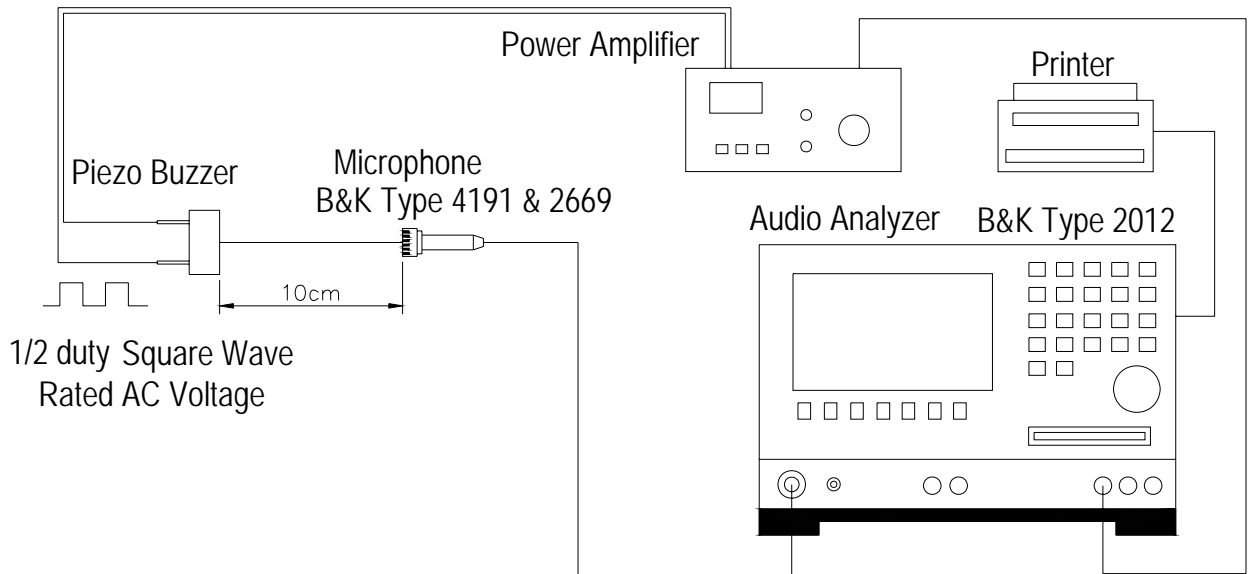
Test and measurement will be carried out under normal condition of temperature within 5°C to 35°C, relative humidity within 45% to 85% and air pressure of 860mbar to 1060mbar. Should uncertainly arise in data obtained from the above atmosphere, control of temperature At 20°C±2°C and relative humidity within 60% and 70%, with air pressure remaining unchanged, To be enforced.

Value Applying Rated Voltage

STANDARD TEST FIXTURE

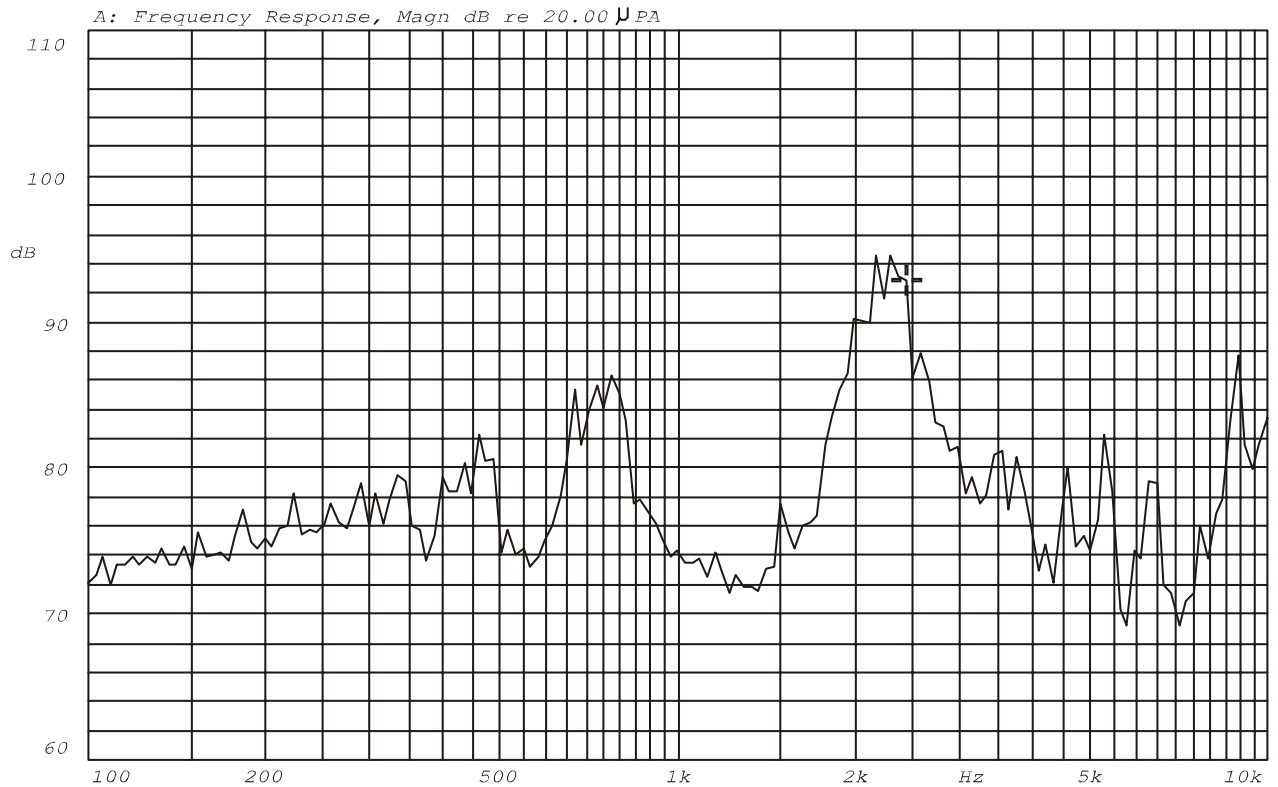


Standard test condition of piezo buzzer



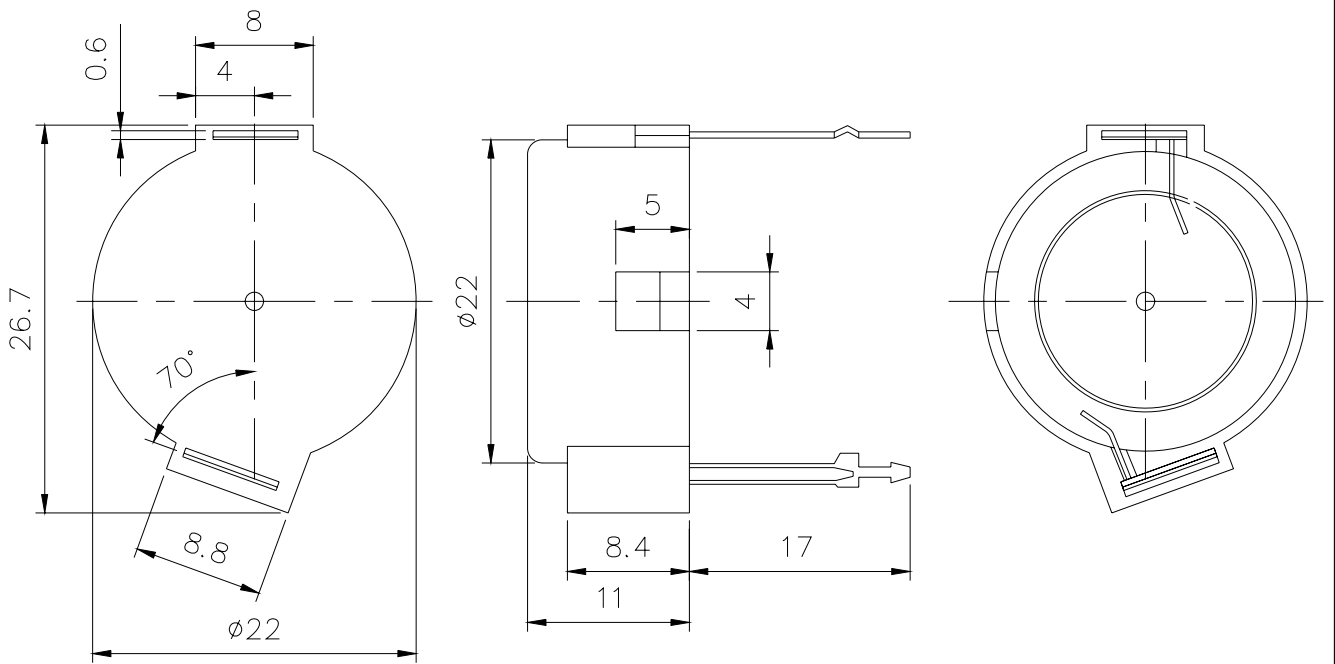
Frequency Response Curve

X:2.4406kHz Y:92.89dB ZA:Live Curve SSR T. RMS



Mode: SSR





TITLE: PIEZO BUZZER EXTERNAL

DRAWN: Milton 04/18/2002

SCALE: 2:1

SHEET: 1 : 1

PART NO. AZ-2225E-P

DESIGNED: R & D OF AAT

UNITS: mm

DWG NO. DTP-1138

CHECKED:

TOLERANCE ± 0.5

APPROVAL:

UNLESS OTHERWISE SPECIFIED:

REV 1

MATERIAL: ABS

ONE PLACE DECIMAL ± ***

TWO PLACE DECIMAL ± ***

THREE PLACE DECIMAL ± ***



苙翔科技股份有限公司
ADVANCED ACOUSTIC TECHNOLOGY CORPORATION

ADVANCED ACOUSTIC TECHNOLOGY CORP.

苙翔科技股份有限公司

RELIABILITY TEST

AZ-2225E-P

Item	Conditions	Evaluation standard
01 Low Temp. Storage Test	A°C±2°C ,240Hr	(S.P.L)Test before numerical ±10dB *wrong (Frequency)Test before numerical ±10% (Current)Test before numerical ±10% (No crake is allowed on the part surface after Free drop test) ● After the test ,the part shall meet the specifications without any degradation in appearance and performance
02 High Temp. Storage Test	B°C±2°C RH50% ,240Hr	
03 Temp./Humidity Storage Test	40°C±2°C , RH90-95% 240Hr	
04 Thermal Shock Test	A°C±2°C (1Hr)→ ,20°C±2°C (1Hr) B°C±2°C (1Hr)→ ,20°C±2°C (1Hr)10 cycle	
05 Vibration Test	10-55Hz/1min amplitude1.5mm,X,Y,Z,3 directions	
06 Mechanical Shock Test	+100G,Sine wave, XYZ , 3 impacts per axis	
07 Free Drop Test	The part shall be dropped freely from a height of 75 cm onto concrete 1 time in 2 axes (total 4 times)	
08 Life Burning Test	The part shall be subjected to 1000 hrs in the room temp with rated voltage applied	
09 Lead Wire / Pin Pull Test	The Part checking standard : Following supplier's Spec. Finished-part checking Standard vertical Pull i)100g MIN 0.05mm Thickness of ceramic ii)300g MIN 0.1mm ≤ Thickness of ceramic b: Horizontal Pull i)700g MIN	

Remark : "A" means Storage low temp. "B" means Storage high temp