

MESSRS.

SPECIFICATION FOR APPROVAL

承 认 书

Product	PIEZO BUZZER (SELF DRIVE)
Part No.	AZ-2431S-W
Customer Approval	

Approved By	Checked By	Made By

常 州 立 翔 电 子 有 限 公 司



ADVANCED ACOUSTIC TECHNOLOGY CORP.



ISO 9001 Certified

<http://www.aatc.com.tw>

www.aatc.com.cn

EDITION:1.1

1. Specifications

AZ-2431S-W

Items		Units	Specifications	Conditions
01	Rated Voltage	VDC	12	
02	Operating Voltage	VDC	3~20	
03	Rated Current	mA(Max)	14	At 12VDC
04	Sound Output At 30cm	dBA(Min)	73	At 12VDC
05	Resonant Frequency	Hz	3100±500	
06	Tone Nature	CONTINUEOUS		
07	Operating Temp.	°C	-20 ~ +60	
08	Storage Temp.	°C	-20 ~ +70	
09	Weight	g	4.5	

2. Measuring Method

2-1. Test Condition

STANDARD

Temperature : 15 ~ 35°C

Relative humidity : 25% ~ 85%,

Atmospheric pressure : 860mbar to 1060mbar.

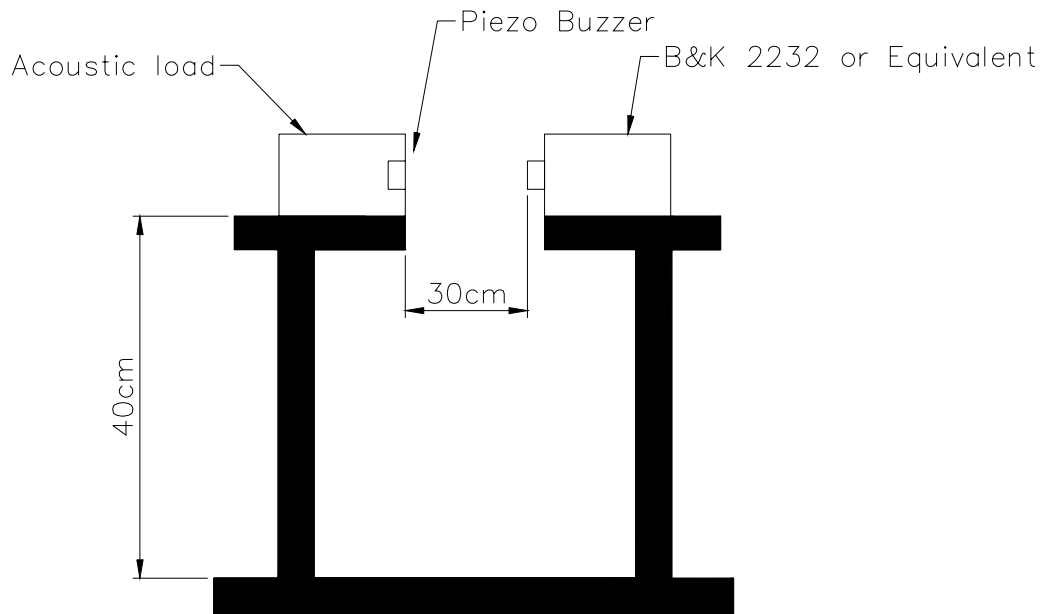
JUDGEMENT

Temperature : 20±3°C

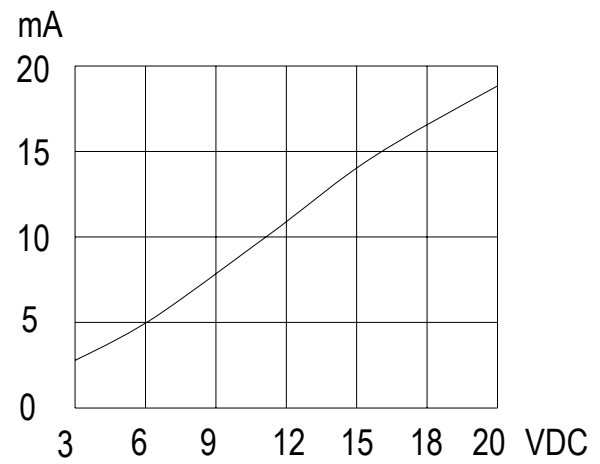
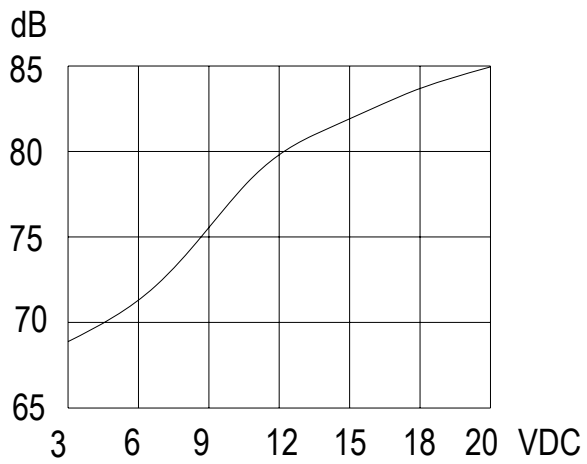
Relative humidity : 60% ~ 70%,

Atmospheric pressure : 860mbar to 1060mbar

2-2. Standard Test Fixture



2-3. Characteristic Curve

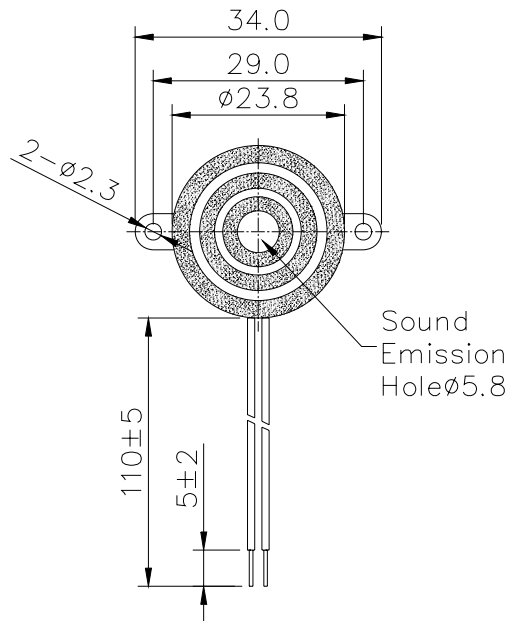
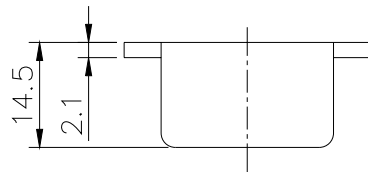
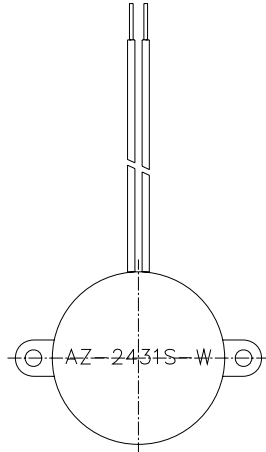


REV NO.

REVISION NOTE

APPROVAL

DATE



WIRE: UL1095 28AWG

TITLE: <i>PIEZO BUZZER</i>		DRAWN: <i>Killy</i> 2005/01/06	SCALE: 1:1	SHEET: 1 of 1
PART NO. <i>AZ-2431S-W</i>		DESIGNED: R & D OF AAT	UNITS: mm	
DWG NO. <i>DPE-1108</i>	1 REV	CHECKED:	TOLERANCE ± 0.5 mm	
		APPROVAL:	UNLESS OTHERWISE SPECIFIED: ONE PLACE DECIMAL ± *** TWO PLACE DECIMAL ± *** THREE PLACE DECIMAL ± ***	
		MATERIAL: ABS		



ADVANCED ACOUSTIC TECHNOLOGY CORPORATION

4. Reliability Test

Item	Conditions	Evaluation standard
01 Low Temp. Storage Test	-40°C ±2°C ,240Hr	After the test the part shall meet specifications without Any degradation and performance except S.P.L S.P.L shall be 65dB or more.
02 High Temp.Storage Test	85°C ±2°C ,240Hr	
03 Temp./Humidity Storage Test	40°C ±2°C , RH90-95% 240Hr	
04 Thermal Shock Test	-40°C ±2°C (0.5Hr)→ ,20°C ±2°C (0.25Hr) 85°C ±2°C (0.5Hr)→ ,20°C ±2°C (0.5Hr) 5 cycles	
05 Vibration Test	10-55Hz/2 Hr amplitude1.5mm X,Y, Z,3 directions	
06 Mechanical Shock Test	+100G,Half Sine wave, XYZ , 3 impacts per axis ,3 times.	
07 Free Drop Test	The part shall be dropped freely from a height of 75 cm X,Y, Z,3 directions 3times (total 9 times)	
08 Life Burning Test	The part shall be subjected to 500 hrs in the room temp with rated voltage applied	
09 Lead Strength Test	Pull Lead with a force of 10N,on the direction of the lead axis for 10±1 sec.	