

MESSRS.

SPECIFICATION FOR APPROVAL

承 認 書

Product	PIEZO BUZZER (SELF DRIVE)
Part No.	AZ-3135S-W
Customer Approval	

Approved By	Checked By	Made By
工程部 王台平 MAR-16-2006	工程部 劉民祥 MAR-16-2006	工程部 許俊程 MAR-16-2006



ADVANCED ACOUSTIC TECHNOLOGY CORP.

苙 翔 科 技 股 份 有 限 公 司



ISO 9001 Certified

2F, No.207, Sec. 6, Chung Shan N. Rd., Taipei, Taiwan, R.O.C.

Tel: +886-2-88665255

Fax: +886-2-88665250

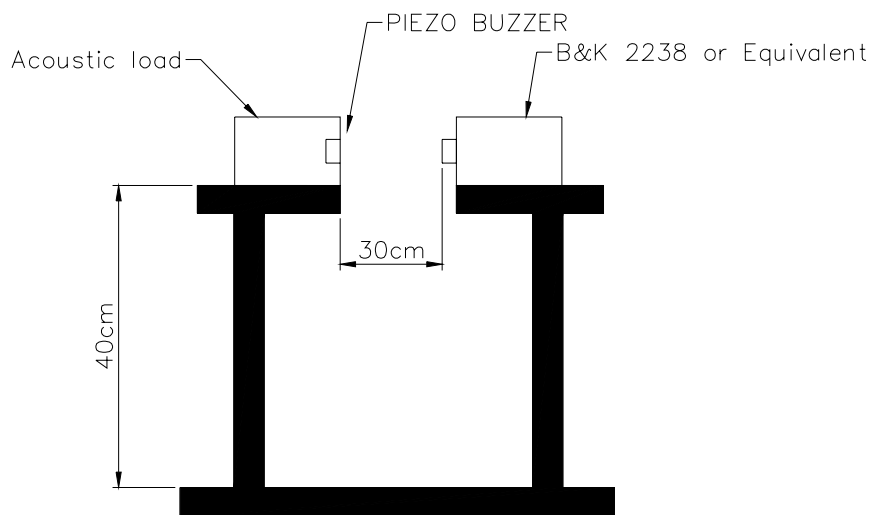
<http://www.aatc.com.tw>

AZ-3135S-W

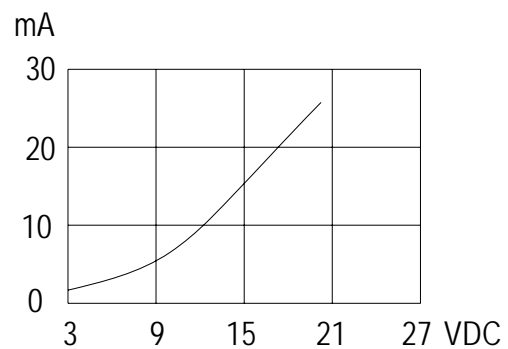
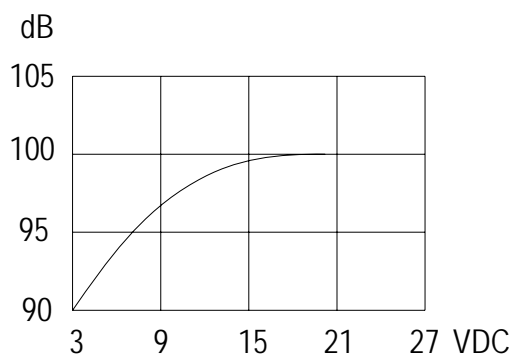
Items		Units	Specifications	Conditions
01	Rated Voltage	VDC	9	
02	Operating Voltage	VDC	3~20	
03	Rated Current	mA(Max)	9	At 9VDC
04	Sound Output At 30cm	dBA(Min)	95	At 9VDC
05	Resonant Frequency	Hz	3500±500	
06	Tone Nature	Single		
07	Operating Temp.	°C	- 20~ +60	
08	Storage Temp.	°C	- 30~ +70	
09	Weight	g	7.3	

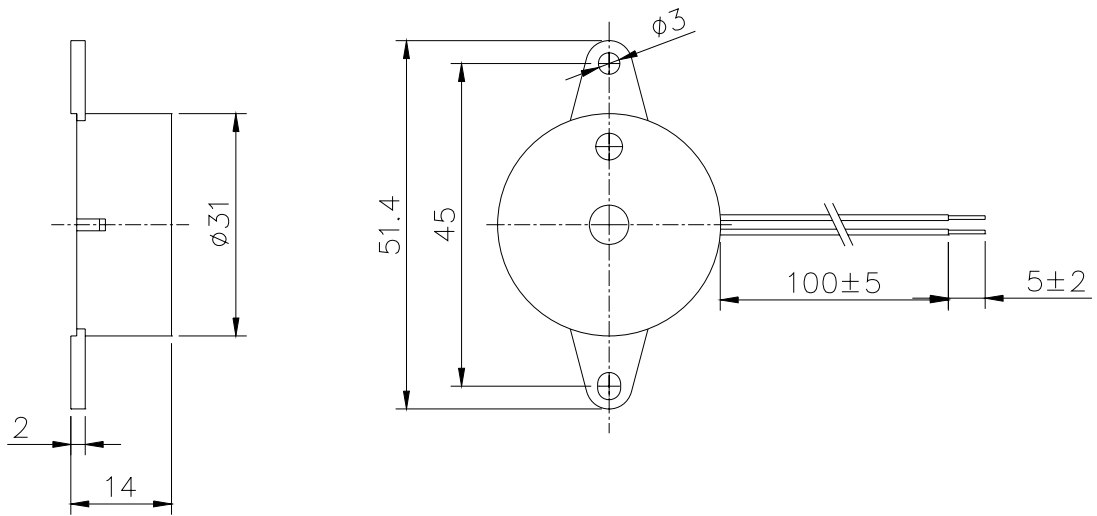
Value Applying Rated Voltage

STANDARD TEST FIXTURE



Characteristic





TITLE: <i>PIEZO BUZZER</i>		DRAWN: <i>LAM</i> 09/24/2001	SCALE: 1:1	SHEET: 1 of 1
PART NO. <i>AZ-3135S-W</i>		DESIGNED: R & D OF AAT	UNITS: mm	
DWG NO. <i>DTP-1079</i>	1 REV	CHECKED:	TOLERANCE ± 0.3	
		APPROVAL:	UNLESS OTHERWISE SPECIFIED: ONE PLACE DECIMAL \pm *** TWO PLACE DECIMAL \pm *** THREE PLACE DECIMAL \pm ***	
		MATERIAL: <i>ABS</i>		



苙翔科技股份有限公司
ADVANCED ACOUSTIC TECHNOLOGY CORPORATION

ADVANCED ACOUSTIC TECHNOLOGY CORP.

苙翔科技股份有限公司

RELIABILITY TEST

AZ-3135S-W

Item		Conditions	Evaluation standard
01	Low Temp. Storage Test	A°C±2°C ,240Hr	(S.P.L)Test before numerical ±10dB *wrong (Frequency)Test before numerical ±10% (Current)Test before numerical ±10% (No crake is allowed on the part surface after Free drop test) ● After the test ,the part shall meet the specifications without any degradation in appearance and performance
02	High Temp.Storage Test	B°C±2°C RH50% ,240Hr	
03	Temp./Humidity Storage Test	40°C±2°C , RH90-95% 240Hr	
04	Thermal Shock Test	A°C±2°C (1Hr)→ ,20°C±2°C (1Hr) B°C±2°C (1Hr)→ ,20°C±2°C (1Hr)10 cycle	
05	Vibration Test	10-55Hz/1min amplitude1.5mm,X,Y,Z,3 directions	
06	Mechanical Shock Test	+100G,Sine wave, XYZ , 3 impacts per axis	
07	Free Drop Test	The part shall be dropped freely from a height of 75 cm onto concrete 1 time in 2 axes (total 4 times)	
08	Life Burning Test	The part shall be subjected to 1000 hrs in the room temp with rated voltage applied	
09	Lead Wire / Pin Pull Test	The Part checking standard : Following supplier's Spec. Finished-part checking Standard vertical Pull i)100g MIN 0.05mm Thickness of ceramic ii)300g MIN 0.1mm ≤ Thickness of ceramic b: Horizontal Pull i)700g MIN	

Remark : "A"means Storage low temp. "B"means Storage high temp