

MESSRS.

SPECIFICATION FOR APPROVAL

承 認 書

Product	PIEZO BUZZER(SELF DRIVER)
Part No.	AZ-4228S-C5
Customer Approval	

Approved By	Checked By	Made By
		工程部 許俊程 2003-JAN-13



ADVANCED ACOUSTIC TECHNOLOGY CORP.

苙 翔 科 技 股 份 有 限 公 司



ISO 9001 Certified

2F, No.207, Sec. 6, Chung Shan N. Rd., Taipei, Taiwan, R.O.C.

Tel: +886-2-88665255

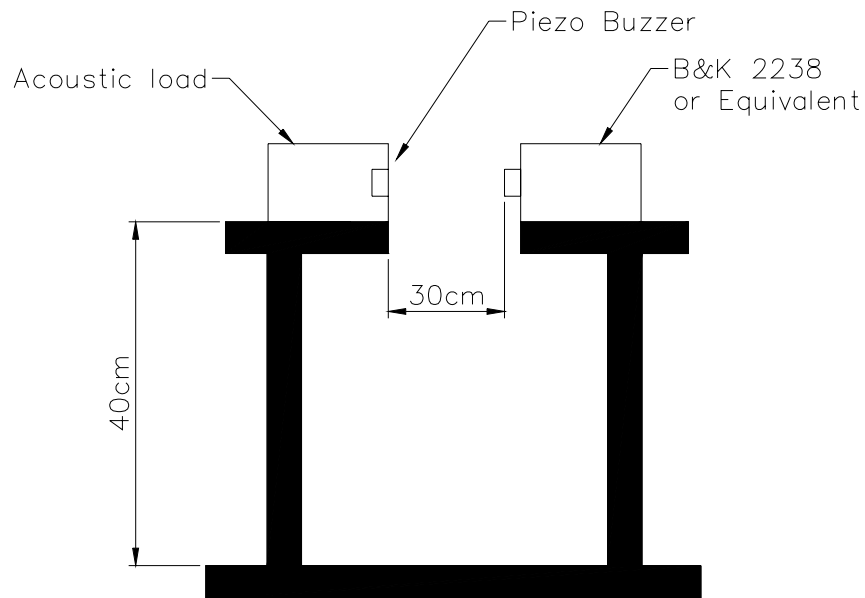
Fax: +886-2-88665250

E-mail: aat_mail@seed.net.tw

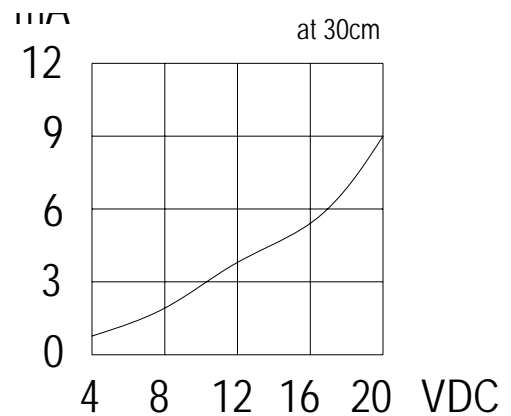
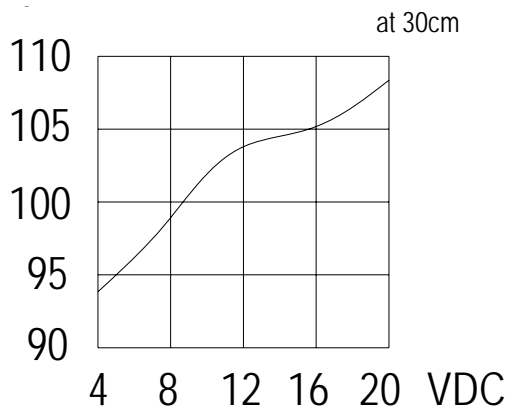
AZ-4228S-C5

Items		Units	Specifications	Conditions
01	Rated Voltage	VDC	12.0	
02	Operating Voltage	VDC(Max)	4 - 20	
03	Rated Current (Max)	mA	9	At 12VDC
04	Min Sound Output	dBA	96	At 12VDC / 30cm
05	Resonant Frequency	Hz	2800±500	
06	Tone Nature	Single		
07	Operating Temp.	°C	-20 ~ +60	
08	Storage Temp.	°C	-20 ~ +70	
09	Weight	g	12	

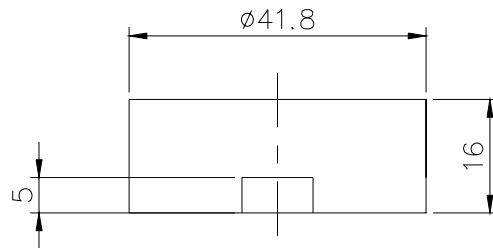
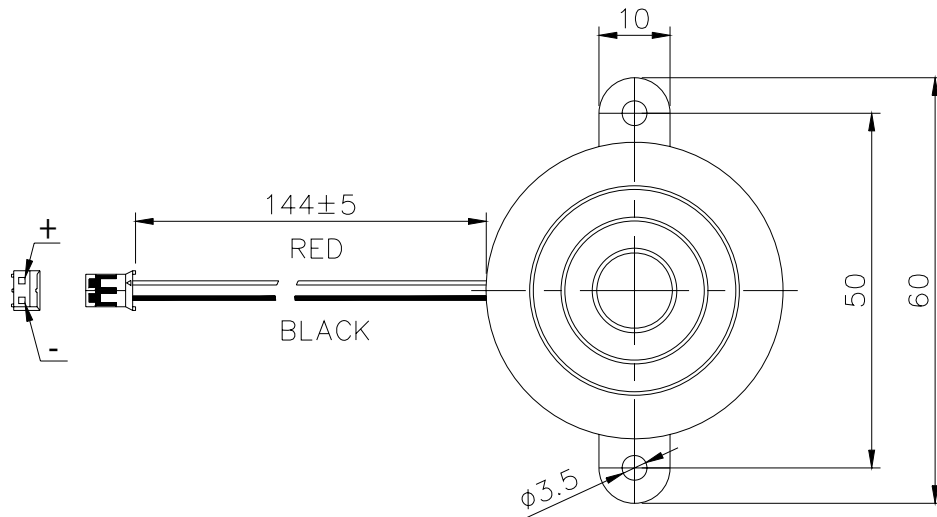
STANDARD TEST FIXTURE



Characteristic



REV NO.	REVISION NOTE	APPROVAL	DATE
---------	---------------	----------	------



WIRE: UL1007, AWG24.
CONNECTOR: JST PHR-2 COMPATIBLE.
HOUSING JST PH 2.0, 2PIN.

TITLE:	PIEZO BUZZER	DRAWN:	JOKEN 12/24/2003	SCALE:	1:1	SHEET:	1 : 1
PART NO.	AZ-4228S-C5	DESIGNED:	R & D OF AAT	UNITS:	mm	TOLERANCE	± 0.3
DWG NO.	DTP-1030	CHECKED:		UNLESS OTHERWISE SPECIFIED:			
		APPROVAL:		ONE PLACE DECIMAL ± ***			
		MATERIAL:	ABS	TWO PLACE DECIMAL ± ***			
				THREE PLACE DECIMAL ± ***			



苙翔科技股份有限公司
ADVANCED ACOUSTIC TECHNOLOGY CORPORATION

ADVANCED ACOUSTIC TECHNOLOGY CORP.

荳翔科技股份有限公司

RELIABILITY TEST

AZ-4228S-C5

Item	Conditions	Evaluation standard
01 Low Temp. Storage Test	A°C±2°C ,240Hr	(S.P.L)Test before numerical ±10dB *wrong (Frequency)Test before numerical ±10% (Current)Test before numerical ±10% (No crake is allowed on the part surface after Free drop test) ● After the test ,the part shall meet the specifications without any degradation in appearance and performance
02 High Temp.Storage Test	B°C±2°C RH50% ,240Hr	
03 Temp./Humidity Storage Test	40°C±2°C , RH90-95% 240Hr	
04 Thermal Shock Test	A°C±2°C (1Hr)→ ,20°C±2°C (1Hr) B°C±2°C (1Hr)→ ,20°C±2°C (1Hr)10 cycle	
05 Vibration Test	10-55Hz/1min amplitude1.5mm,X,Y,Z,3 directions	
06 Mechanical Shock Test	+100G,Sine wave, XYZ , 3 impacts per axis	
07 Free Drop Test	The part shall be dropped freely from a height of 75 cm onto concrete 1 time in 2 axes (total 4 times)	
08 Life Burning Test	The part shall be subjected to 1000 hrs in the room temp with rated voltage applied	
09 Lead Wire / Pin Pull Test	The Part checking standard : Following supplier's Spec. Finished-part checking Standard vertical Pull i)100g MIN 0.05mm Thickness of ceramic ii)300g MIN 0.1mm ≤ Thickness of ceramic b: Horizontal Pull i)700g MIN	

Remark : "A"means Storage low temp. "B"means Storage high temp