

# ***MESSRS.***

---

## **SPECIFICATION FOR APPROVAL**

### **承 認 書**

|                   |                           |
|-------------------|---------------------------|
| Product           | PIEZO BUZZER (SELF DRIVE) |
| Part No.          | AZ-4229S-D                |
| Customer Approval |                           |

| Approved By               | Checked By                | Made By                   |
|---------------------------|---------------------------|---------------------------|
| 工程部<br>王台平<br>MAR-16-2006 | 工程部<br>劉民祥<br>MAR-16-2006 | 工程部<br>許俊程<br>MAR-16-2006 |



**ADVANCED ACOUSTIC TECHNOLOGY CORP.**

**苙 翔 科 技 股 份 有 限 公 司**



ISO 9001 Certified

2F, No.207, Sec. 6, Chung Shan N. Rd., Taipei, Taiwan, R.O.C.

Tel: +886-2-88665255

Fax: +886-2-88665250

<http://www.aatc.com.tw>

## AZ-4229S-D

| Items |                       | Units      | Specifications | Conditions |
|-------|-----------------------|------------|----------------|------------|
| 01    | Rated Voltage         | VDC        | 12             |            |
| 02    | Operating Voltage     | VDC        | 4~28           |            |
| 03    | Rated Current         | mA(Max)    | 8              | At 12 VDC  |
| 04    | Sound Output At 60 cm | dBA(Min)   | 85             | At 12 VDC  |
| 05    | Resonant Frequency    | Hz         | 2900±500       |            |
| 06    | Tone Nature           | Continuous |                |            |
| 07    | Operating Temp.       | °C         | -20 ~ +60      |            |
| 08    | Storage Temp.         | °C         | -30 ~ +70      |            |
| 09    | Weight                | g          | 35             |            |

### Measurement Condition

Test and measurement will be carried out under normal condition of temperature

within 5°C to 35°C ,relative humidity within 45% to 85% and air pressure of 860mbar to 1060mbar.

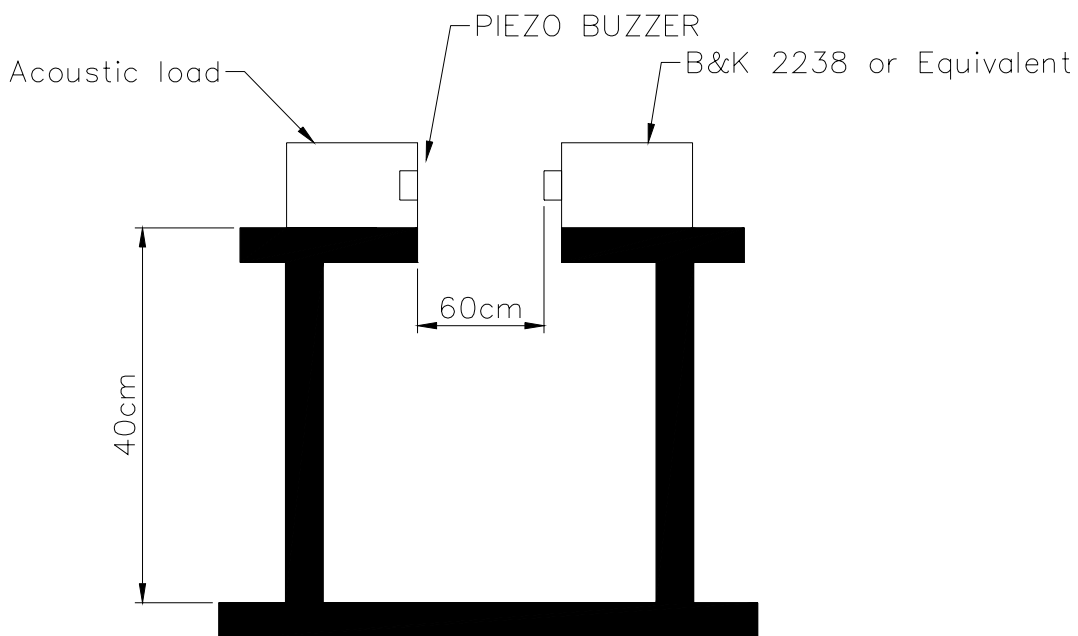
Should uncertainly arise in data obtained from the above atmosphere, control of temperature

At 20°C±2°C and relative humidity within 60% and 70%, with air pressure remaining unchanged,

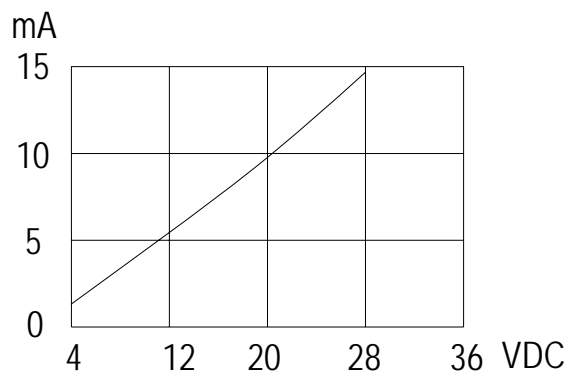
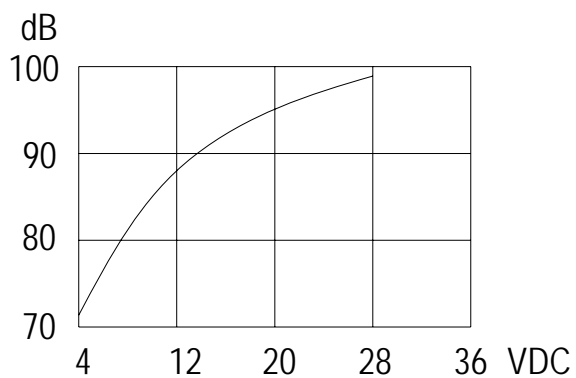
To be enforced.

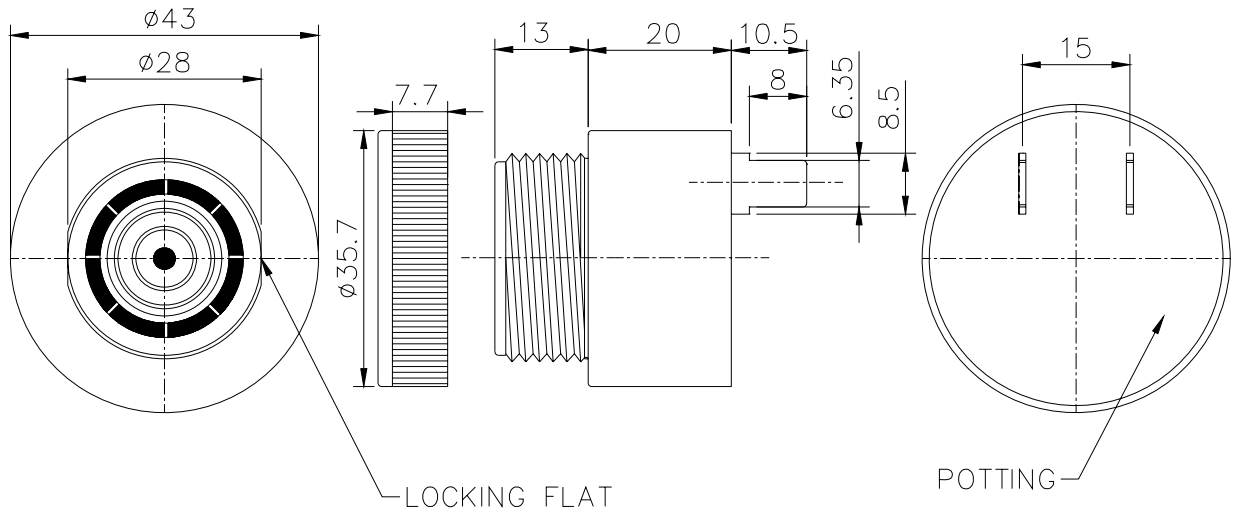
# Value Applying Rated Voltage

## STANDARD TEST FIXTURE



## Characteristic





|                            |     |                               |                               |               |
|----------------------------|-----|-------------------------------|-------------------------------|---------------|
| TITLE: <i>PIEZO BUZZER</i> |     | DRAWN: <i>JGAN</i> 11/15/2001 | SCALE: 1:1                    | SHEET: 1 of 1 |
| PART NO. <i>AZ-4229S-D</i> | 1   | DESIGNED: R & D OF AAT        | UNITS: mm                     |               |
| DWG NO. <i>DTP-1105</i>    |     | CHECKED:                      | TOLERANCE $\pm 0.5$ mm        |               |
|                            | REV | APPROVAL:                     | UNLESS OTHERWISE SPECIFIED:   |               |
|                            |     | MATERIAL: <i>ABS</i>          | ONE PLACE DECIMAL $\pm$ ***   |               |
|                            |     |                               | TWO PLACE DECIMAL $\pm$ ***   |               |
|                            |     |                               | THREE PLACE DECIMAL $\pm$ *** |               |



苙翔科技股份有限公司  
ADVANCED ACOUSTIC TECHNOLOGY CORPORATION

# ADVANCED ACOUSTIC TECHNOLOGY CORP.

## 苙翔科技股份有限公司

### RELIABILITY TEST

#### AZ-4229S-D

| Item |                             | Conditions  | Evaluation standard  |
|------|-----------------------------|---|--|
| 01   | Low Temp. Storage Test      | A°C±2°C ,240Hr  | (S.P.L)Test before numerical<br>±10dB *wrong<br>(Frequency)Test before<br>numerical ±10%<br>(Current)Test before numerical<br>±10%<br>(No crake is allowed on the<br>part surface after Free drop<br>test )<br>● After the test ,the part shall<br>meet the specifications<br>without any degradation in<br>appearance and performance |
| 02   | High Temp.Storage Test      | B°C±2°C RH50% ,240Hr  |  |
| 03   | Temp./Humidity Storage Test | 40°C±2°C , RH90-95%<br>240Hr  |  |
| 04   | Thermal Shock Test          | A°C±2°C (1Hr)→ ,20°C±2°C<br>(1Hr)<br>B°C±2°C (1Hr)→ ,20°C±2°C<br>(1Hr)10 cycle  |  |
| 05   | Vibration Test              | 10-55Hz/1min<br>amplitude1.5mm,X,Y,Z,3<br>directions  |  |
| 06   | Mechanical Shock Test       | +100G,Sine wave, XYZ , 3<br>impacts per axis  |  |
| 07   | Free Drop Test              | The part shall be dropped<br>freely from a height of 75 cm<br>onto concrete 1 time in 2 axes<br>(total 4 times )  |  |
| 08   | Life Burning Test           | The part shall be subjected to<br>1000 hrs in the room temp with<br>rated voltage applied   |  |
| 09   | Lead Wire / Pin Pull Test   | The Part checking standard :<br>Following supplier's Spec.<br>Finished-part checking<br>Standard<br>vertical Pull<br>i)100g MIN<br>0.05mm Thickness of ceramic<br>ii)300g MIN<br>0.1mm ≤ Thickness of ceramic<br>b: Horizontal Pull<br>i)700g MIN |  |

Remark : "A"means Storage low temp. "B"means Storage high temp