

# ***MESSRS.***

---

## **SPECIFICATION FOR APPROVAL**

### **承 認 書**

Product	PIEZO BUZZER (EXTERNAL)
Part No.	AZ-4410E-W-LF (RoHS)
Customer Approval	

Approved By	Checked By	Made By
工程部 王台平 MAY-12-2006	工程部 劉民祥 MAY-12-2006	工程部 許俊程 MAY-12-2006



**ADVANCED ACOUSTIC TECHNOLOGY CORP.**

**苙 翔 科 技 股 份 有 限 公 司**



ISO 9001 Certified

2F, No.207, Sec. 6, Chung Shan N. Rd., Taipei, Taiwan, R.O.C.

Tel: +886-2-88665255

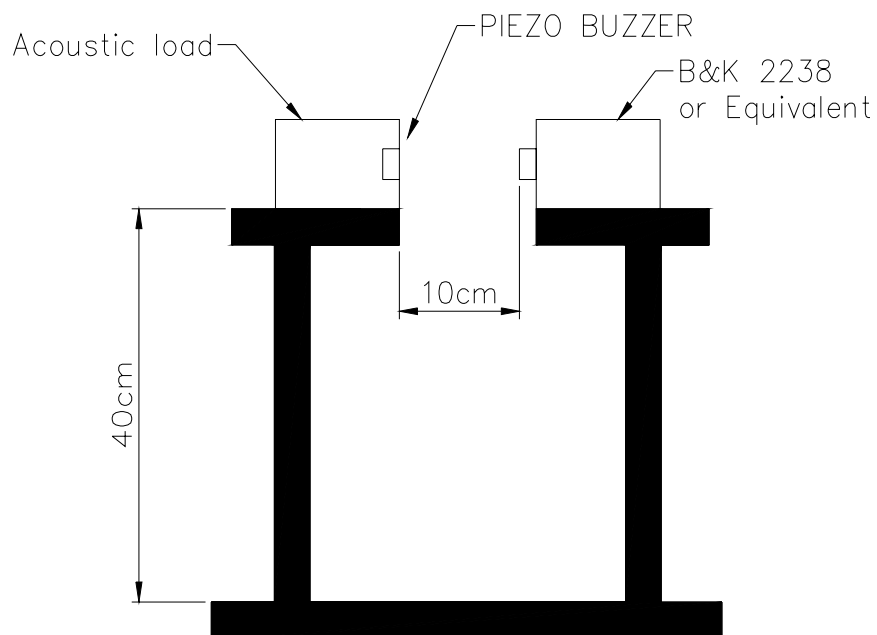
Fax: +886-2-88665250

<http://www.aatc.com.tw>

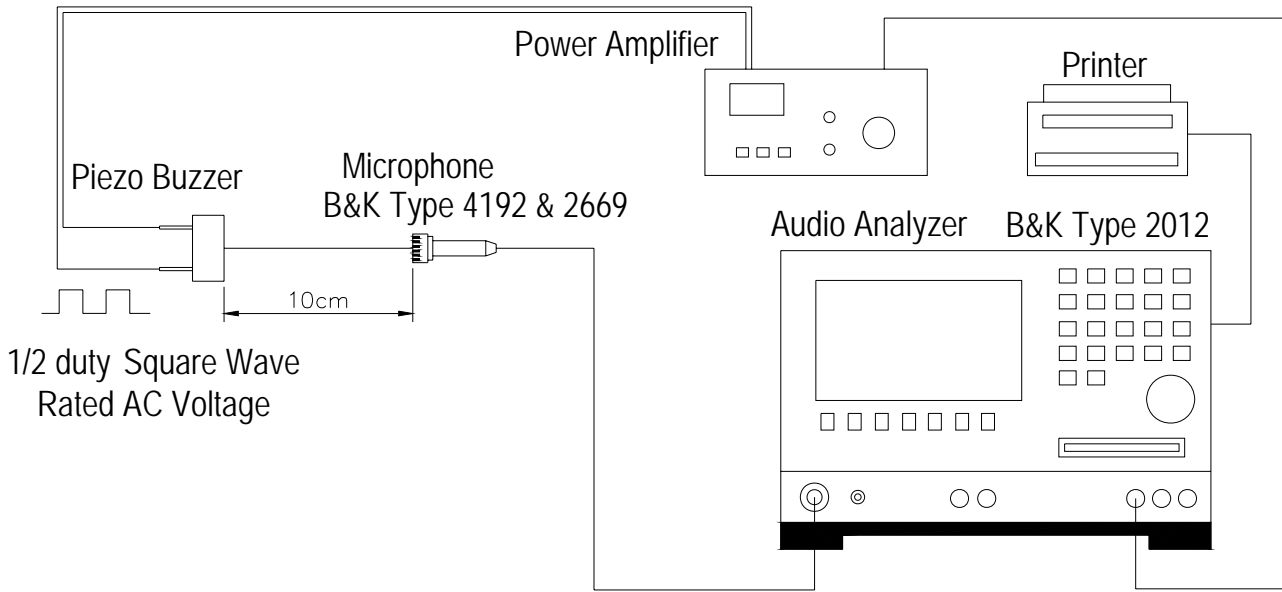
# AZ-4410E-W-LF

Items		Units	Specifications	Conditions
01	Rated Voltage	Vp-p	10	Square Wave
02	Operating Voltage	Vp-p	1-30	
03	Rated Current (Max)	mA	10	
04	Min Sound Output	dBA	88	at 1KHz / 10cm
05	Resonant Frequency	Hz	1000±300	
06	Operating Temp.	°C	-20 ~ +60	
07	Storage Temp.	°C	-30 ~ +70	
08	Capacitance at 120 Hz	pF	77000 ± 30%	
09	Weight	g	10	

## STANDARD TEST FIXTURE



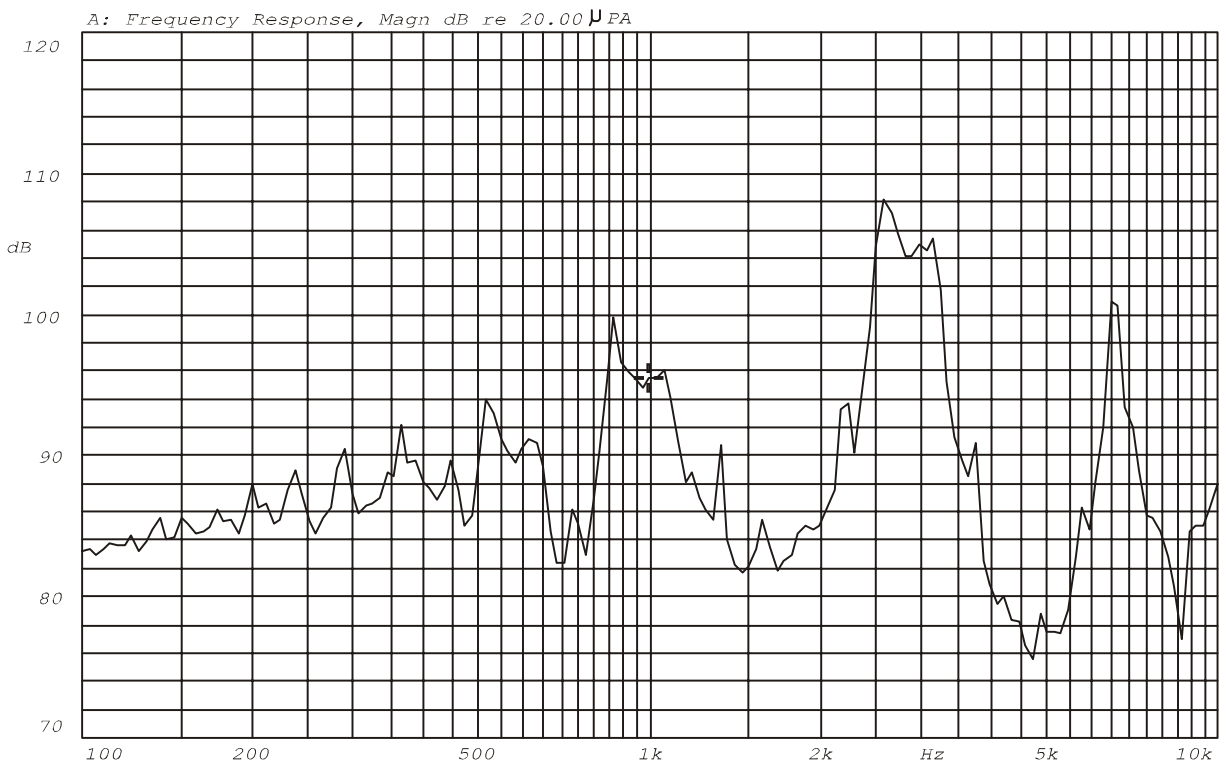
# Standard test condition of piezo buzzer



## Frequency Response Curve

MODEL:AZ-4410E-W

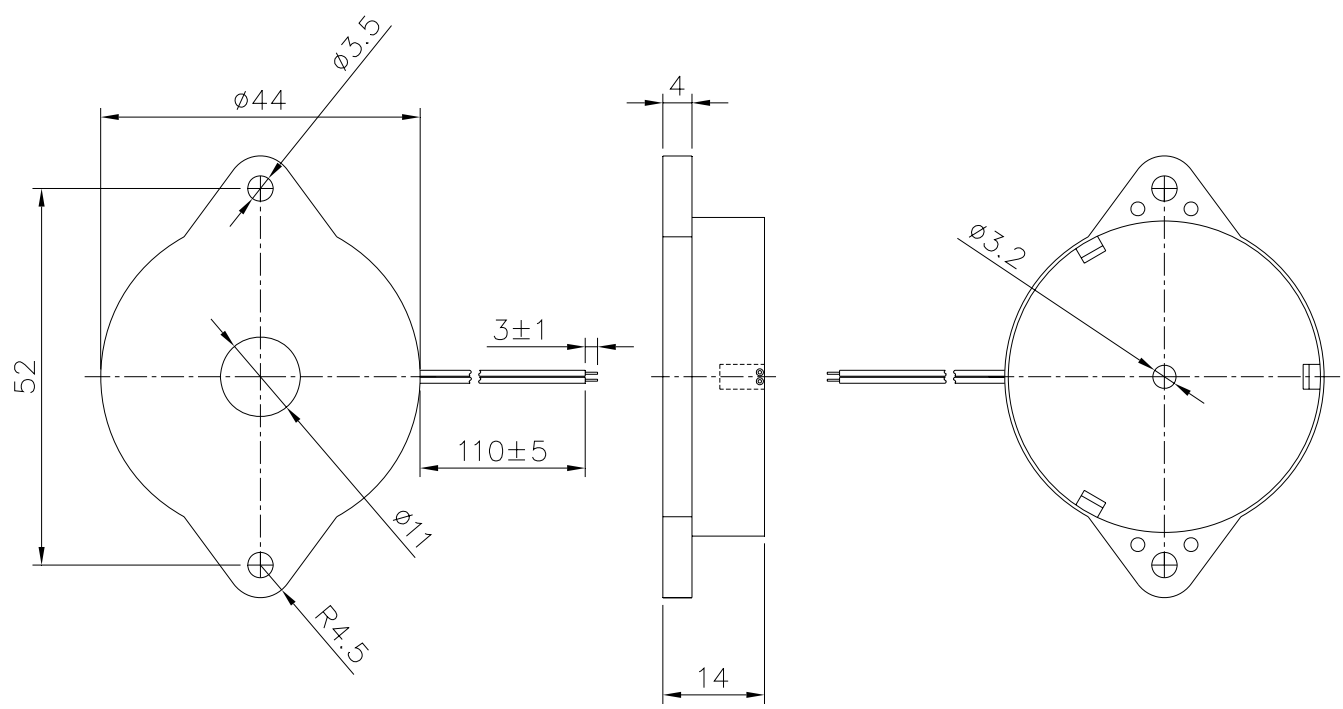
X:1.0000kHz Y:95.45dB ZA:Live Curve SSR T. RMS



Mode: SSR



REV NO.	REVISION NOTE	APPROVAL	DATE
---------	---------------	----------	------



TITLE: PIEZO BUZZER EXTERNAL		DRAWN: Milton	08/27/2000	SCALE: 1:1	SHEET: 1 : 1
PART NO. AZ-4410E-W-LF	1	DESIGNED: R & D OF AAT	UNITS: mm		
DWG NO. DTP-1002		CHECKED:	TOLERANCE ± 0.5		
	REV	APPROVAL:	UNLESS OTHERWISE SPECIFIED:		
		MATERIAL: ABS	ONE PLACE DECIMAL ± ***		
			TWO PLACE DECIMAL ± ***		
			THREE PLACE DECIMAL ± ***		



苙翔科技股份有限公司  
 ADVANCED ACOUSTIC TECHNOLOGY CORPORATION

# RELIABILITY TEST

## AZ-4410E-W-LF

	Item	Conditions	Evaluation standard
01	Low Temp. Storage Test	A°C±2°C ,240Hr	(S.P.L)Test before numerical ±10dB *wrong (Frequency)Test before numerical ±10% (Current)Test before numerical ±10% (No crake is allowed on the part surface after Free drop test ) ● After the test ,the part shall meet the specifications without any degradation in appearance and performance
02	High Temp.Storage Test	B°C±2°C RH50% ,240Hr	
03	Temp./Humidity Storage Test	40°C±2°C , RH90-95% 240Hr	
04	Thermal Shock Test	A°C±2°C (1Hr)→ ,20°C±2°C (1Hr) B°C±2°C (1Hr)→ ,20°C±2°C (1Hr)10 cycle	
05	Vibration Test	10-55Hz/1min amplitude1.5mm,X,Y,Z,3 directions	
06	Mechanical Shock Test	+100G,Sine wave, XYZ , 3 impacts per axis	
07	Free Drop Test	The part shall be dropped freely from a height of 75 cm onto concrete 1 time in 2 axes (total 4 times )	
08	Life Burning Test	The part shall be subjected to 1000 hrs in the room temp with rated voltage applied	
09	Lead Wire / Pin Pull Test	The Part checking standard : Following supplier's Spec. Finished-part checking Standard vertical Pull i)100g MIN 0.05mm Thickness of ceramic ii)300g MIN 0.1mm ≤ Thickness of ceramic b: Horizontal Pull i)700g MIN	

Remark : "A"means Storage low temp. "B"means Storage high temp