

MESSRS.

SPECIFICATION FOR APPROVAL

承 認 書

Product	DYNAMIC RECEIVER
Part No.	AR-1032RA-4
Customer Approval	

Approved By	Checked By	Made By
工程 部 王台平 OCT-19-2004	工程 部 劉民祥 OCT-19-2004	工程 部 許俊程 OCT-19-2004



ADVANCED ACOUSTIC TECHNOLOGY CORP.

苙 翔 科 技 股 份 有 限 公 司



ISO 9001 Certified

2F, No.207, Sec. 6, Chung Shan N. Rd., Taipei, Taiwan, R.O.C.

TEL: +886-2-88665255

FAX: +886-2-88665250

<http://www.aatc.com.tw>

1. SPECIFICATION

AR-1032RA-4

ITEMS.		SPECIFICATIONS
01	Type	Dynamic 10mm receiver unit
02	Sensitivity (S.P.L)	104dB \pm 3 dB at 1kHz 100mV with IEC 318 coupler
03	Impedance.	32 Ohm \pm 15% at 1KHz
04	Magnet Field Intensity.	Axial – dB , Radial –dB at 1KHz
05	Nominal Input Power	10mW
06	Max. Input Power.	Must be normal at a white noise , 20mW for 1 minute.
07	Total Harmonics Distortion	Max 5 % at 1K Hz.
08	Operation temperature	-30 $^{\circ}$ C to +70 $^{\circ}$ C
09	Storage temperature	-40 $^{\circ}$ C to +85 $^{\circ}$ C
10	Weight.	1.0g \pm 0.3g

2. MEASURING METHOD

2-1. Test Condition

STANDARD

Temperature : 15 ~ 35 $^{\circ}$ C

Relative humidity : 45% ~ 85%,

Atmospheric pressure : 860mbar to 1060mbar.

JUDGEMENT

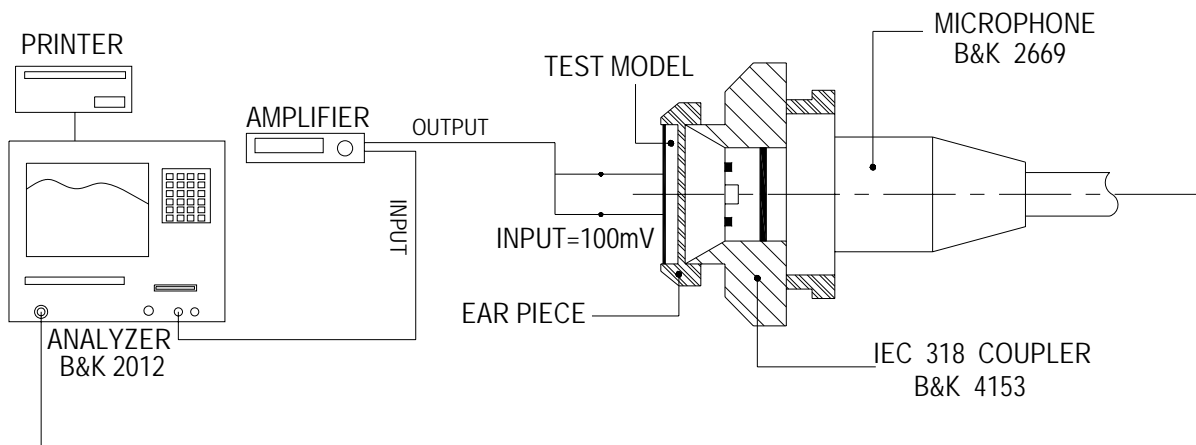
Temperature : 20 \pm 3 $^{\circ}$ C

Relative humidity : 60% ~ 70%,

Atmospheric pressure : 860mbar to 1060mbar

2-2. Standard Test Fixture

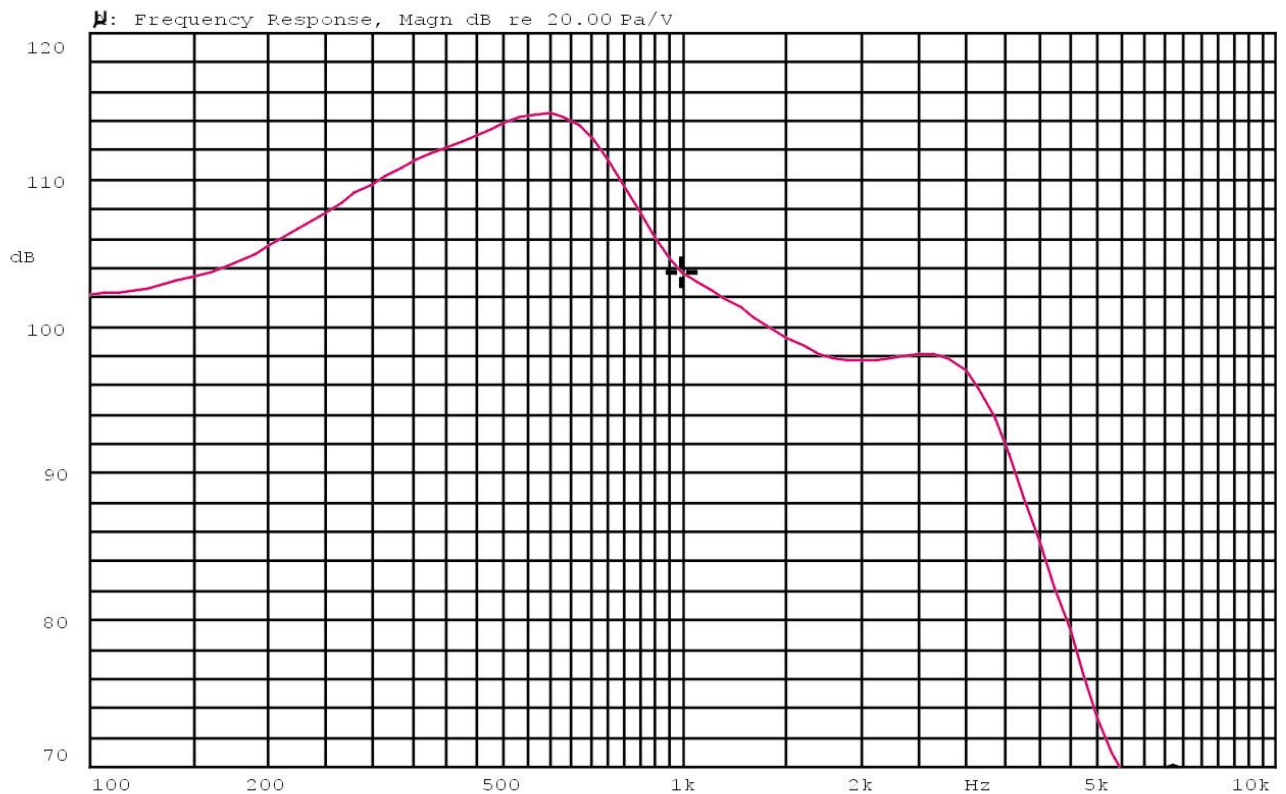
Input signal : 100mV



2.3 2Frequency Response Curve

AR-1032RA-4

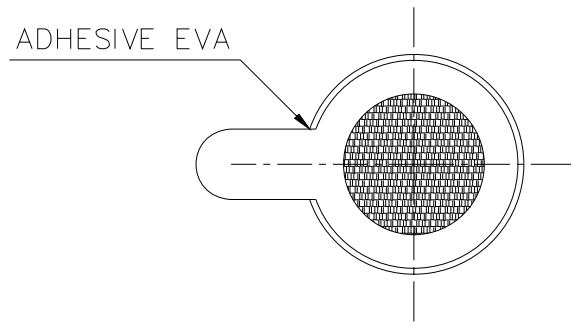
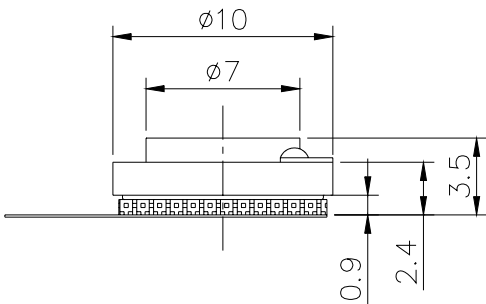
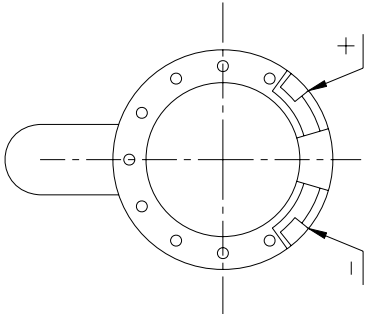
X:1.0000kHz Y:103.68dB ZA:Live Curve SSR Fund.



Mode: Receiver



REV NO.	REVISION NOTE	APPROVAL	DATE
---------	---------------	----------	------

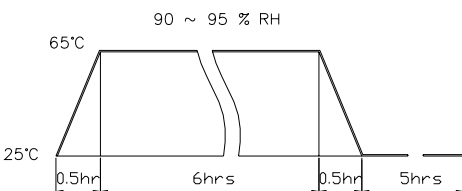


TITLE: DYNAMIC RECEIVER		DRAWN: JOHN	10/19/2004	SCALE: 3:1	SHEET: 1 of 1
PART NO. AR-1032RA-4		DESIGNED: R & D OF AAT	UNITS: mm		
DWG NO. DTR-1084		CHECKED:	TOLERANCE ± 0.2		
		APPROVAL:	UNLESS OTHERWISE SPECIFIED: ONE PLACE DECIMAL \pm *** TWO PLACE DECIMAL \pm *** THREE PLACE DECIMAL \pm ***		
REV		MATERIAL: *****			



苙翔科技股份有限公司
 ADVANCED ACOUSTIC TECHNOLOGY CORPORATION

4. RELIABILITY TESTS

ITEMS.		SPECIFICATIONS
01	High temp. Test	Keep 96 hours at $+85^{\circ}\text{C} \pm 3^{\circ}\text{C}$ and leave 3 hours in normal temperature and then check
02	Low temp. Test	Keep 96 hours at $-40^{\circ}\text{C} \pm 3^{\circ}\text{C}$ and leave 3 hours in normal temperature and then check
03	Humidity test	Keep 96 hours at $+40^{\circ}\text{C} \pm 3^{\circ}\text{C}$ relative humidity 90% and leave 3 hours in normal temperature and then checked.
04	Temp./humidity cycle	<p>The part shall be subjected 5 cycles. One cycle shall be 12 hours and consist of;</p>  <p style="text-align: center;"> 65°C $90 \sim 95 \% \text{ RH}$ 25°C 0.5hr 6hrs 0.5hr 5hrs </p>
05	Thermal Cycle Test.	Low temperature: $-40^{\circ}\text{C} \pm 3^{\circ}\text{C}$, temperature: $+85^{\circ}\text{C} \pm 3^{\circ}\text{C}$, cycle: 1 hour/cycle each, and then keep 5 cycles in a room.
06	Vibration	10~200~10Hz Sin-Wave Sweep 15min. 5G(Constant) X,Y, Z 3 direction. 2 hours each, total 6 hours.
07	Fix Drop test	Fix on Jig. then drop from 152cm height to the concrete floor X,Y, Z 6 direction. 5 times each, total 30 times.
08	Free Drop test	Free drop from 100cm height to the concrete floor X,y, z 6 direction. 1 times each, total 6 times.
09	Load test	Rated power white noise is applied for 96 hours
10	Max Power test	Max Power 1 min on – 1 min off 10 cycles.