

# ***MESSRS.***

---

## **SPECIFICATION FOR APPROVAL**

## **承 認 書**

<b>Product</b>	<b>DYNAMIC RECEIVER</b>
<b>Part No.</b>	<b>AR-3032BA-1</b>
<b>Customer Approval</b>	

<b>Approved By</b>	<b>Checked By</b>	<b>Made By</b>
工程 部 王台平 JUL-20-2004	工程 部 劉民祥 JUL-20-2004	工程 部 許俊程 JUL-20-2004



**ADVANCED ACOUSTIC TECHNOLOGY CORP.**

**苙 翔 科 技 股 份 有 限 公 司**



ISO 9001 Certified

2F, No.207, Sec. 6, Chung Shan N. Rd., Taipei, Taiwan, R.O.C.

TEL: +886-2-88665255

FAX: +886-2-88665250

E-MAIL: [aat\\_mail@seed.net.tw](mailto:aat_mail@seed.net.tw)

# AR-3032BA-1

ITEMS.		SPECIFICATIONS
01	Type	Dynamic receiver unit
02	Dimension.	External diameter 30 mm
03	Sensitivity (S.P.L)	119 dB $\pm$ 3 dB at 1kHz 180 mV with IEC 318 coupler
04	Frequency Response.	Refer to frequency response chart.
05	Impedance.	32 Ohm $\pm$ 15% at 1KHz
06	Magnet Field Intensity.	Axial – dB , Radial –dB at 1KHz
07	Nominal Input Power	30mW
08	Max. Input Power.	Must be normal at a white noise , 50mW for 1 minute.
09	Weight.	5.4g $\pm$ 0.5g
10	Appearance.	Should not exist any obstacle to be harmful to normal operation: damages, cracks, rusts, and distortions, etc.
11	Buzz, Rattle, Etc.	Should not be audible at 0.98V sine wave between 300 Hz to 3.4 kHz.
12	Terminal Strength.	Capable of withstanding 1 kg load for 15 sec without resulting in any damage or rejection.
13	Load Test.	0.98 white noise (-filter) is applied for 72 hours satisfy the tests listed on item 03,04,09, and10

## ENVIRONMENTAL TEST.

Sensitivity difference shall be within  $\pm$ 3 dB and should satisfy the listed on item03,04, 09 and 10, after each following test.

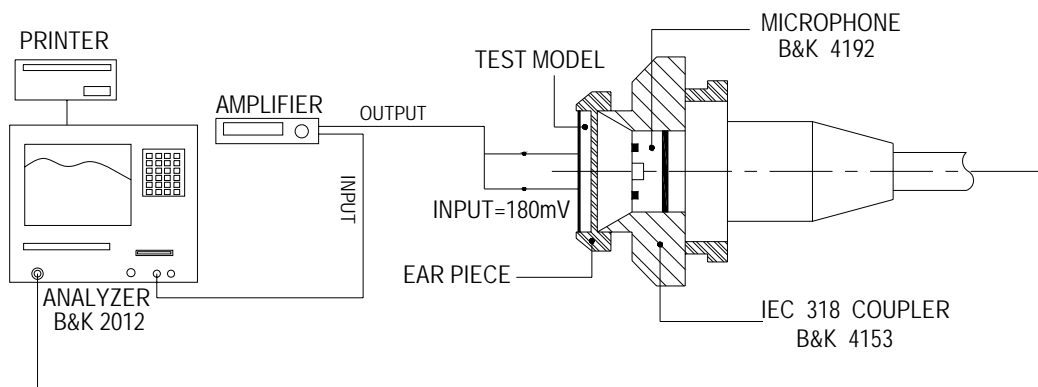
01	Thermal Cycle Test.	Low temperature: -40°C $\pm$ 3°C, temperature:+70°C $\pm$ 3°C, cycle: 6hour/cycles each, and then keep 2 hours in a room.
02	High Temp. Test.	Keep 96 hours at +70°C $\pm$ 3°C and leave 6 hours in normal temperature and then check.
03	Low Temp. Test.	Keep 96 hours at -40°C $\pm$ 3°C and leave 6 hours in normal temperature and then check.
04	Humidity Test	Keep 96 hours at +40°C $\pm$ 3°C and relative humidity 95% and leave 3 hours in normal temperature and then check.
05	Drop Test	Drop the handset mounted a unit onto a board 5mm thick 18 times from the height of 1m and them should satisfy the test listed on item 09 and 10.

# MEASUREMENT CONDITION.

Test and measurement will be carried out under normal condition of temperature within 5°C to 35 °C, Relative humidity within 45% to 85% and air pressure of 860mbar to 1060mbar.

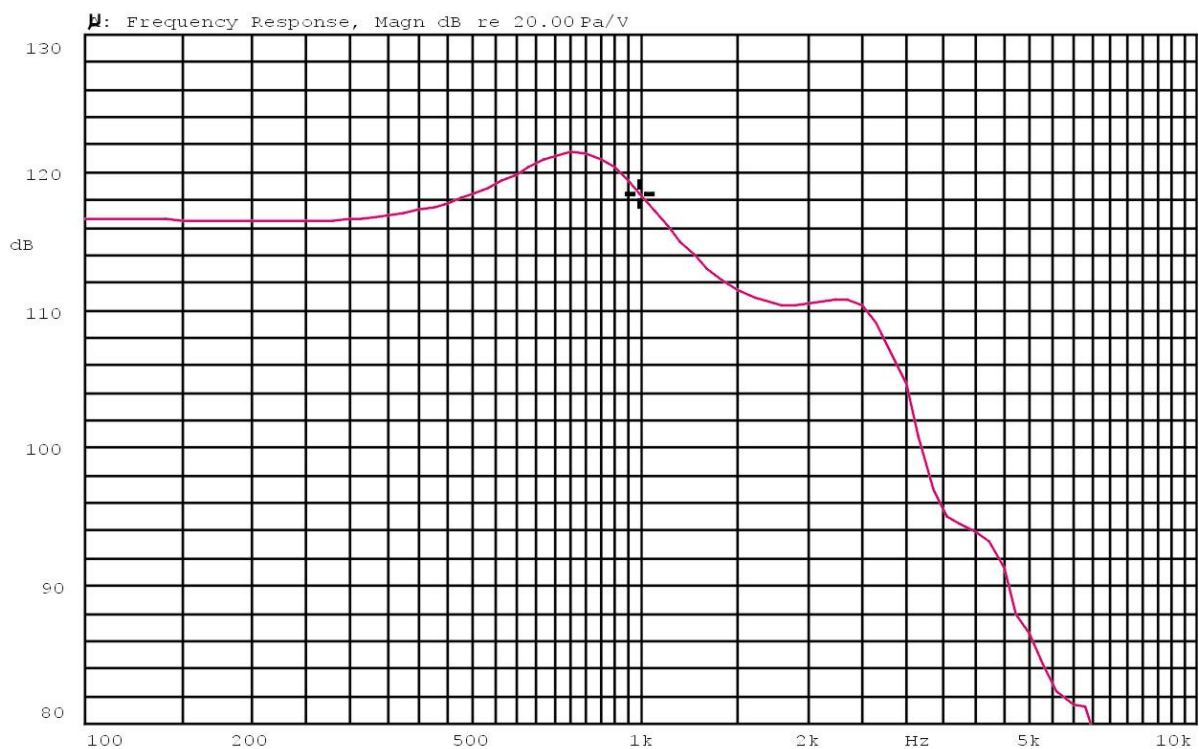
Should uncertainly arise in data obtained from the above atmosphere, control of temperature at 20°C ±2 °C and relative humidity within 60% and 70%, With air pressure remaining unchanged, to be enforced.

- 1. Test signal. : 180mV
- 2. Sweep freq. Response. : Apply test signal varying logarithmical from 100Hz to 10kHz, 2 times for 0.5 second.
- 3. S.P.L (Sensitivity). : Read out average figure of S.P.L meter needle.
- 4. Freq. response curve. : Apply test signal and check response curve with frequency response recorder.

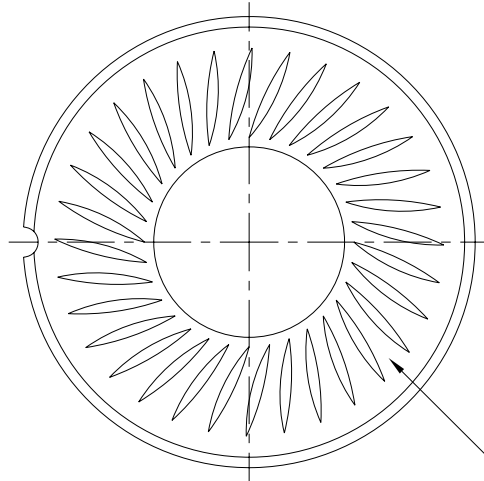
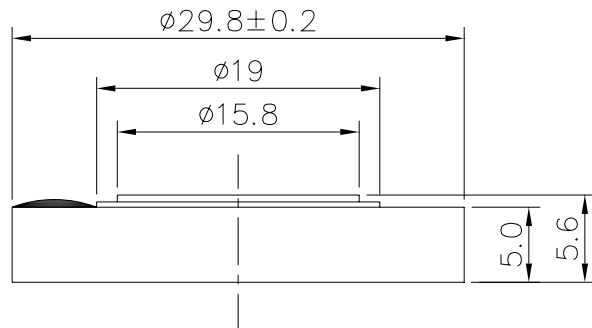
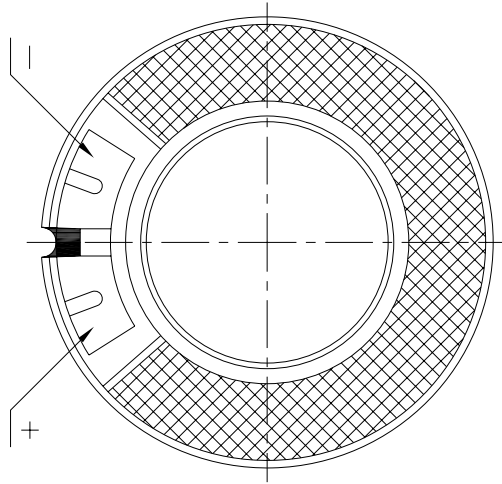


# FREQUENCY RESPONSE CURVE

AR-3032BA-1  
 X:1.0000kHz \*Y:118.37dB EA:Live Curve SSR Fund.



REV NO.	REVISION NOTE	APPROVAL	DATE
---------	---------------	----------	------



MYLAR(LIMPID)

TITLE: DYNAMIC SPEAKER		DRAWN: JOHN 07/20/2004	SCALE: 2:1	SHEET: 1 of 1
PART NO. AR-3032BA-1		DESIGNED: R&D OF AAT	UNITS: mm	
DWG NO. DTR-1085		CHECKED:	TOLERANCE $\pm 0.5$	
		APPROVAL:	UNLESS OTHERWISE SPECIFIED: ONE PLACE DECIMAL $\pm$ *** TWO PLACE DECIMAL $\pm$ *** THREE PLACE DECIMAL $\pm$ ***	
REV 1		MATERIAL: *****		



苙翔科技股份有限公司  
 ADVANCED ACOUSTIC TECHNOLOGY CORPORATION