

MESSRS.

SPECIFICATION FOR APPROVAL

承 認 書

Product	DYNAMIC RECEIVER
Part No.	URP35150-01H-LF (RoHS)
Customer Approval	

Approved By	Checked By	Made By
工程 部 王台平 SEP-19-2006	工程 部 劉民祥 SEP-19-2006	工程 部 許俊程 SEP-19-2006



ADVANCED ACOUSTIC TECHNOLOGY CORP.

苙 翔 科 技 股 份 有 限 公 司



ISO 9001 Certified

2F, No.207, Sec. 6, Chung Shan N. Rd., Taipei, Taiwan.

TEL: +886-2-88665255

FAX: +886-2-88665250

<http://www.aatc.com.tw>

1. SPECIFICATION

URP35150-01H-LF

ITEMS.		SPECIFICATIONS
01	Type	Dynamic 34.8 mm receiver + HAC
02	Sensitivity (S.P.L)	98dB \pm 2 dB at 1K Hz 60mV with IEC 318 coupler
03	Impedance.	150 Ohm \pm 15% at 1KHz
04	DC Resistance	150 Ohm \pm 15%
04	Magnet Field Intensity.	Axial \geq - 19dB A/m, Radial \geq -22dB A/m at 1KHz
05	Nominal Input Power	10mW
06	Max. Input Power.	20mW
07	Total Harmonics Distortion	Max 5 % at 1K Hz.
08	Operation temperature	-20 $^{\circ}$ C to +60 $^{\circ}$ C
09	Storage temperature	-30 $^{\circ}$ C to +70 $^{\circ}$ C
10	Weight.	32g \pm 5g

2. MEASURING METHOD

2-1. Test Condition

STANDARD

Temperature : 15 ~ 35 $^{\circ}$ C

Relative humidity : 45% ~ 85%,

Atmospheric pressure : 860mbar to 1060mbar.

JUDGEMENT

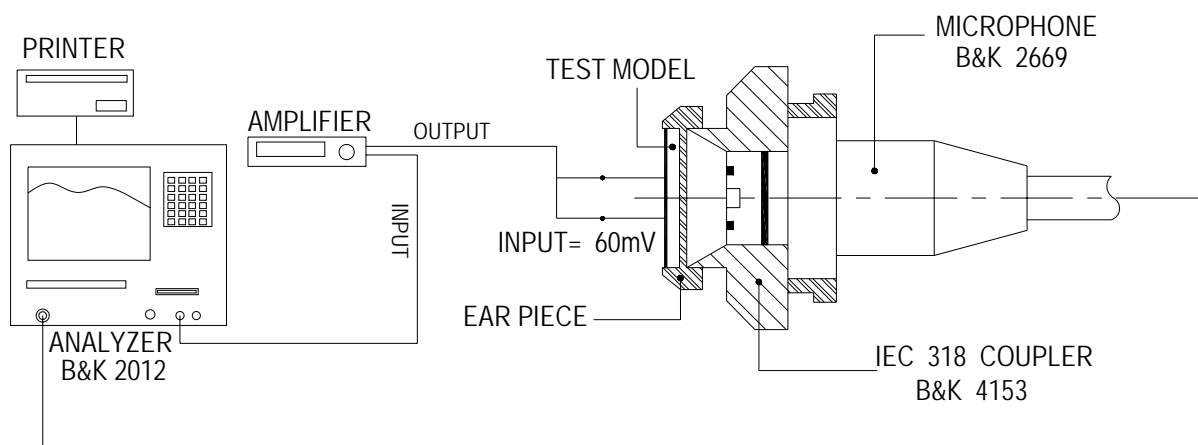
Temperature : 20 \pm 3 $^{\circ}$ C

Relative humidity : 60% ~ 70%,

Atmospheric pressure : 860mbar to 1060mbar

2-2. Standard Test Fixture

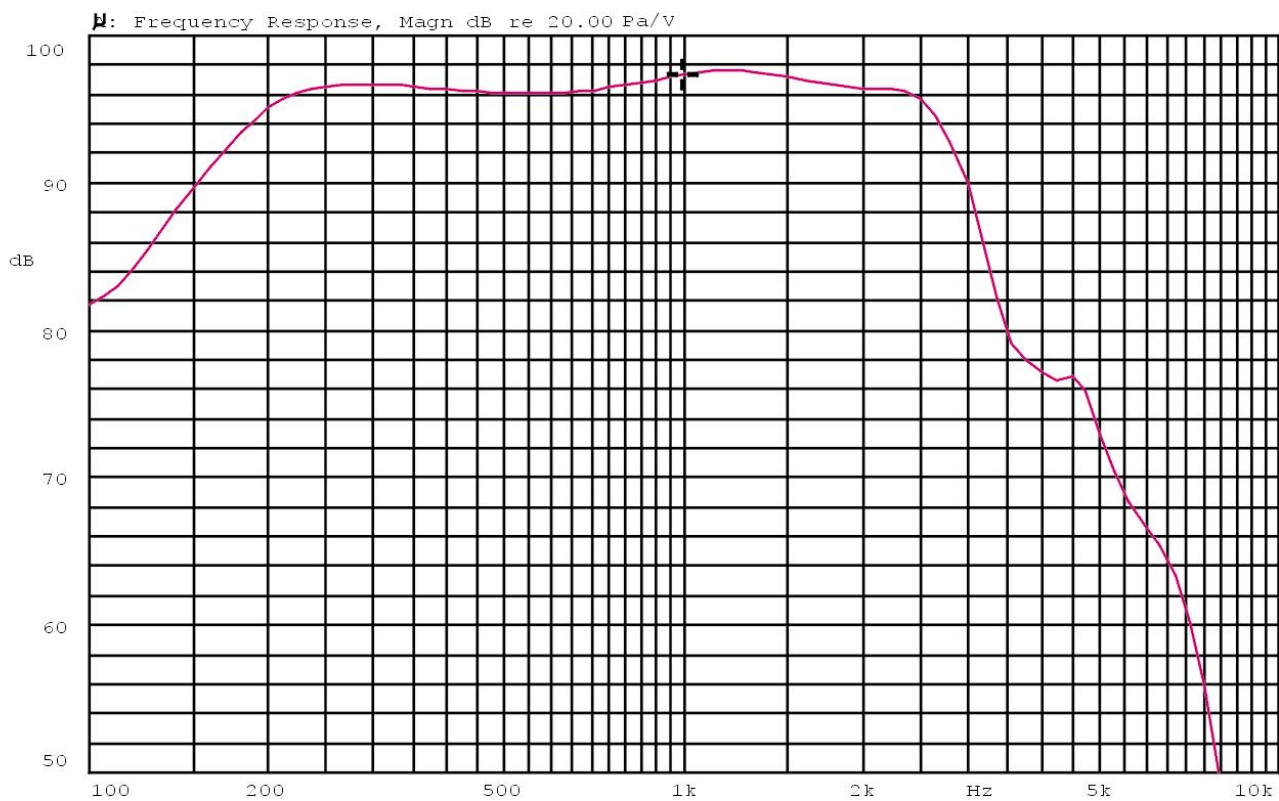
Input signal : 60mV



2.3 2Frequency Response Curve

URP35150-01H

X:1.0000kHz Y:97.38dB ZA:Live Curve SSR Fund.



Mode: Receiver



2.4 Magnet Field Intensity.

受话器

JH6160(R) 型电声测试仪

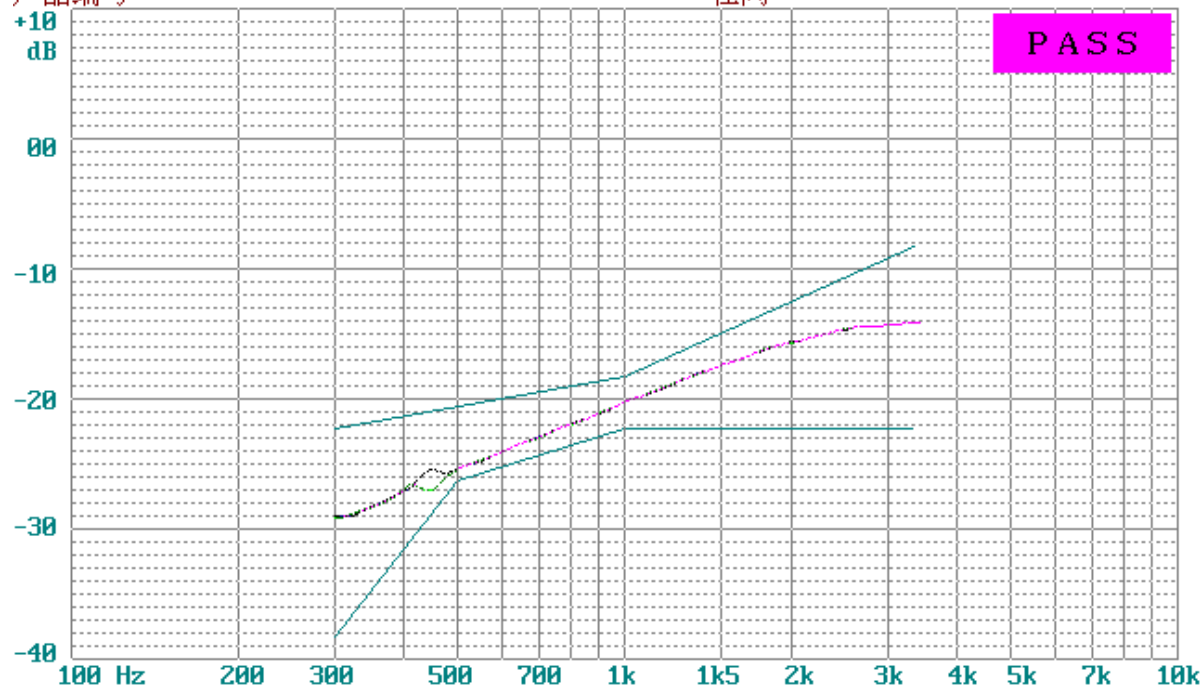
01/04/2005 20:23

产品型号:CY-201

1kHz H.A.C. : -020.3 dB (轴向)

产品编号:0001

1kHz H.A.C. : 000.0 dB (径向)

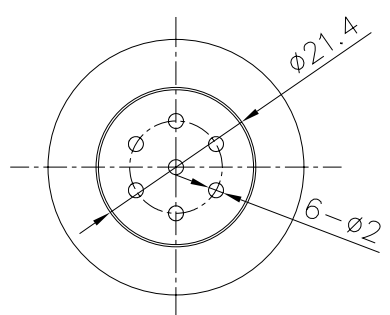
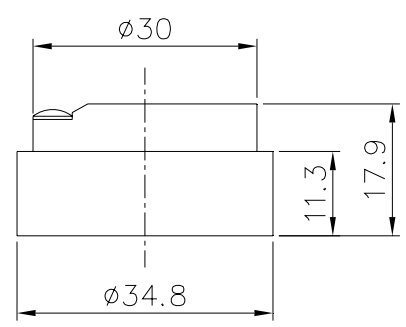
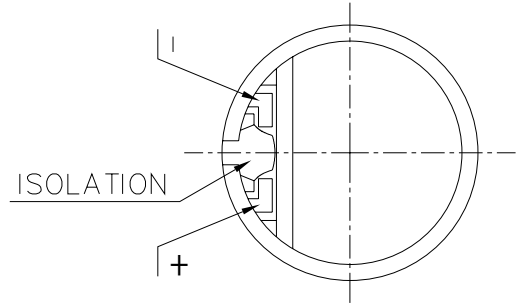


测试电压: 60 mVAC

磁场感应器: M130

零dB参考值 1V/(A/M)M

↑↓:速度 F1:设置 F2:下一项 F3:记忆 F4:打印 F5:保存 F6:中/英 ESC:退出

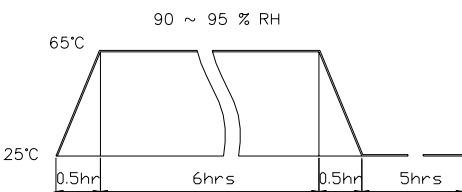


TITLE: TELEPHONE RECEIVER	DRAWN: JOHN	09/19/2006	SCALE: 1:1	SHEET: 1:1
PART NO. URP35150-01H-LF	DESIGNED: R&D OF AAT	CHECKED:	UNITS: mm	TOLERANCE ± 0.3
DWG NO. DTR-1068	APPROVAL:	MATERIAL: *****	UNLESS OTHERWISE SPECIFIED: ONE PLACE DECIMAL \pm *** TWO PLACE DECIMAL \pm *** THREE PLACE DECIMAL \pm ***	
REV	1			



苙翔科技股份有限公司
 ADVANCED ACOUSTIC TECHNOLOGY CORPORATION

4. RELIABILITY TESTS

ITEMS.		SPECIFICATIONS
01	High temp. Test	Keep 96 hours at $+70^{\circ}\text{C} \pm 3^{\circ}\text{C}$ and leave 3 hours in normal temperature and then check
02	Low temp. Test	Keep 96 hours at $-30^{\circ}\text{C} \pm 3^{\circ}\text{C}$ and leave 3 hours in normal temperature and then check
03	Humidity test	Keep 96 hours at $+40^{\circ}\text{C} \pm 3^{\circ}\text{C}$ relative humidity 90% and leave 3 hours in normal temperature and then checked.
04	Temp./humidity cycle	<p>The part shall be subjected 5 cycles. One cycle shall be 12 hours and consist of;</p> 
05	Thermal Cycle Test.	Low temperature: $-30^{\circ}\text{C} \pm 3^{\circ}\text{C}$, temperature: $+70^{\circ}\text{C} \pm 3^{\circ}\text{C}$, cycle: 1 hour/cycle each, and then keep 5 cycles in a room.
06	Vibration	10~200~10Hz Sin-Wave Sweep 15min. 5G(Constant) X,Y, Z 3 direction. 2 hours each, total 6 hours.
07	Fix Drop test	Fix on Jig. then drop from 152cm height to the concrete floor X,Y, Z 6 direction. 5 times each, total 30 times.
08	Free Drop test	Free drop from 100cm height to the concrete floor X,Y, Z 6 direction. 1 times each, total 6 times.
09	Load test	Rated power white noise is applied for 96 hours
10	Max Power test	Max Power 1 min on – 2 min off 10 cycles.
<p>Criterion :</p> <p>After these test , the change of S.P.L shall be within ± 3 dB .</p>		

SOLDERING CONDITION

Recommend using constant branding iron in 30W, and in temperature range $350 \pm 10^{\circ}\text{C}$.
Soldering time 2 seconds.